

4

3

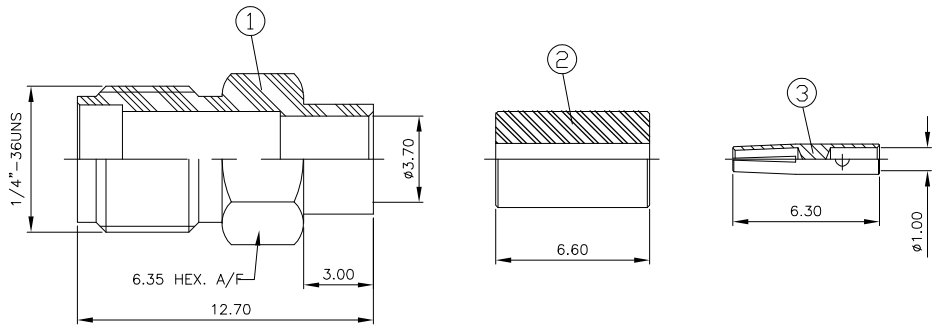
2

1

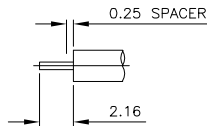
THIS DRAWING IS UNPUBLISHED. RELEASED FOR PUBLICATION APRIL, 2004.
 © COPYRIGHT 2004 BY TYCO ELECTRONICS CORPORATION. ALL RIGHTS RESERVED.

LOC	DIST	REVISIONS			
P	LTR	DESCRIPTION	DATE	DWN	APVD
A		EBD0-0035-03	30JAN04	RS	FWK

- NOTES:
- 1 SINGLE PACK IN ACCORDANCE WITH SPEC 107-3275
 - 2 100 TRAY PACK IN ACCORDANCE WITH SPEC 107-3275
 - 3 0.08µm Au PLATING OVER 1.27µm Ni PLATING
 - 4 0.08µm Au PLATING OVER 1.27µm Ni PLATING OVER 0.76µm Cu PLATING
 - 5 0.76µm Au PLATING OVER 1.27µm Ni PLATING OVER 0.76µm Cu PLATING
 - 6 FOR TECHNICAL DATA REFER TO YOUR LOCAL TYCO ELECTRONICS SALES OFFICE
 - 7 ALL DIMENSIONS ARE NOMINAL FOR REFERENCE ONLY UNLESS OTHERWISE STATED



RECOMMENDED
CABLE STRIPPING DIM'S



QUANTITY PER ASSY		PARTS LIST				
1	1	1	1	PTFE	INSULATOR	3
1	1	1	1	BERYLLIUM COPPER	SOCKET	2
1	1	-	-	BRASS	BODY	1
-	-	1	1	STAINLESS STEEL	BODY	1
3--1	3--0	1--1	1--0	MATERIAL	DESCRIPTION	ITEM

THIS DRAWING IS A CONTROLLED DOCUMENT.		DWN R. SMITH 30JAN04	Tyco Electronics Corporation Bideford, UK, EX39 4HE	
DIMENSIONS: mm		CHK S. PARLOW 30JAN04	NAME	
TOLERANCES UNLESS OTHERWISE SPECIFIED:		APVD E. WHEELER-KING 30JAN04	SMA STRAIGHT JACK DIRECT SOLDER NON CAPTIVE CENTRE CONTACT RG402/U	
0 PLC ± - 1 PLC ± - 2 PLC ± - 3 PLC ± - 4 PLC ± - ANGLES ± -		PRODUCT SPEC 108-3460	SIZE A3	CAGE CODE 00779
MATERIAL SEE TABLE		APPLICATION SPEC 411-3276	DRAWING NO C-1478928	RESTRICTED TO -
		WEIGHT -	CUSTOMER DRAWING	SCALE 1:1 SHEET 1 OF 1 REV A