

4

3

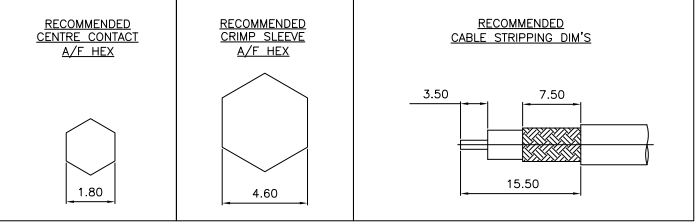
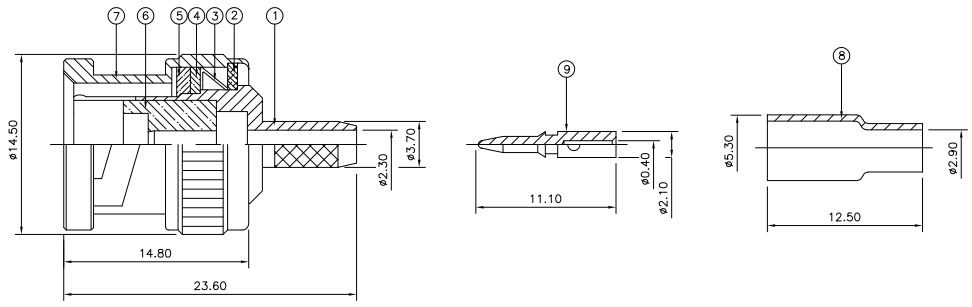
2

1

THIS DRAWING IS UNPUBLISHED. RELEASED FOR PUBLICATION NOV. 2005.
 © COPYRIGHT 2005 BY TYCO ELECTRONICS CORPORATION. ALL RIGHTS RESERVED.

LOC	DIST	REVISIONS			
P	LTR	DESCRIPTION	DATE	DWN	APVD
C		ECR-05-016219	23NOV05	JMS	FWK
D		ECR-08-022235	29AUG08	PK	PB

- NOTES:**
- ⚠ PACK IN ACCORDANCE WITH AMP SPEC 107-3275
 - ⚠ 100 TRAY PACK IN ACCORDANCE WITH AMP SPEC 107-3275
 - ⚠ Ag PLATING
 - ⚠ THIS ITEM MUST BE WHITE
- 5 HAND TOOL : 9-1478240-0
 6 DIE SET : 9-1478245-0
- 7 ELECTRICAL CHARACTERISTICS**
- | | |
|-------------------------------|----------------------------|
| FREQUENCY RANGE: | DC - 2 GHz |
| NOMINAL IMPEDANCE: | 75 Ohm |
| INSULATION RESISTANCE: | 5000 MOhm |
| WORKING VOLTAGE: | 500 Volts RMS at Sea Level |
| DIELECTRIC WITHSTAND VOLTAGE: | 1500 Volts RMS Max |
| CONTACT RESISTANCE: | |
| CENTRE CONTACT: | 1.50 mOhm Max |
| OUTER CONTACT: | 0.20 mOhm Max |
| VSWR @ 2GHz: | 1.20:1 Max |
| INSERTION LOSS dB @ x 2 GHz: | 0.20 Max |
- 8 MECHANICAL CHARACTERISTICS**
- | | |
|---------------------------|----------------|
| COUPLING RETENTION FORCE: | 445N Min |
| CABLE RETENTION FORCE: | 85N Min |
| DURABILITY: | 500 Cycles Min |
- 9 ENVIRONMENTAL CHARACTERISTICS**
- | | |
|------------------------|------------------|
| OPERATING TEMPERATURE: | -65 to +165 DegC |
|------------------------|------------------|



QTY	PER ASSY	MATERIAL	DESCRIPTION	ITEM
1	1	BRASS	CONTACT	9
1	1	BRASS	FERRULE	8
1	1	BRASS	SHELL	7
1	1	PTFE	INSULATION	6
1	1	SILICON RUBBER	GASKET	5
1	1	BRASS	WASHER	4
1	1	SPRING STEEL	SPRING	3
1	1	BRASS	WASHER	2
1	1	BRASS	BODY	1
6--0	1--0	MATERIAL	DESCRIPTION	ITEM

THIS DRAWING IS A CONTROLLED DOCUMENT.

DIMENSIONS: mm	TOLERANCES UNLESS OTHERWISE SPECIFIED:	DWN J.SANDWELL 23NOV05	23NOV05	Tyco Electronics Corporation
	0 PLC ± .05	CHK S.PARLOW 23NOV05	23NOV05	Bideford EX39 4HE
	1 PLC ± .05	APVD F.WHEELER-KING 23NOV05	23NOV05	
	2 PLC ± .05	PRODUCT SPEC	108-3435	
	3 PLC ± .05	APPLICATION SPEC	411-3247	
MATERIAL SEE TABLE	FINISH	WEIGHT		RESTRICTED TO
				SIZE CAGE CODE DRAWING NO
				A3 00779 C=1337432
		CUSTOMER DRAWING	SCALE NTS	SHEET 1 OF 1 REV D