

4

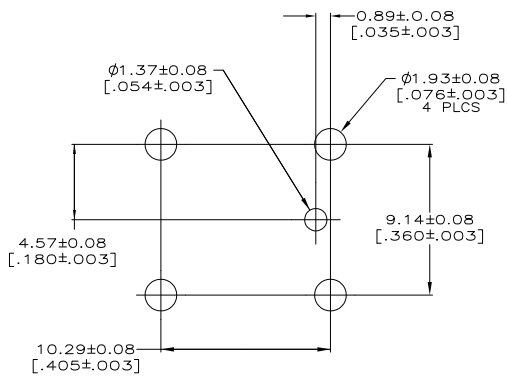
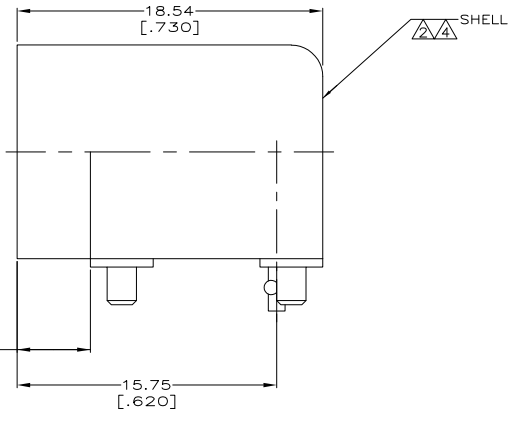
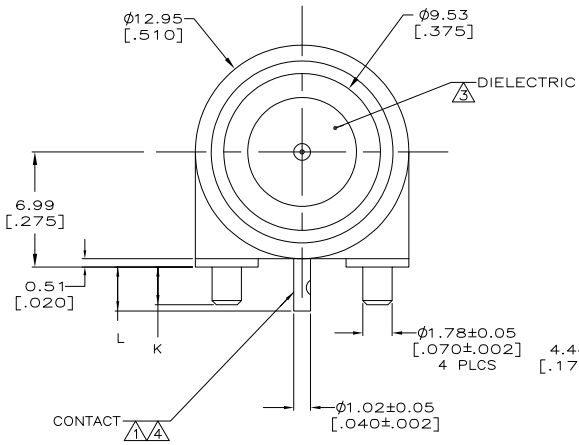
3

2

1

THIS DRAWING IS UNPUBLISHED. RELEASED FOR PUBLICATION
 BY TYCO ELECTRONICS CORPORATION. ALL RIGHTS RESERVED.

LOC	DIST	REVISIONS		
AJ	16	F	LTR	DATE
		O	REV PER EC-0514-0496-04	02FEB2005 GA KW



- ▲ BRASS PER ASTM-B-16
- ▲ ZINC PER QQ-Z-363.
- ▲ POLYPROPYLENE, GENERAL PURPOSE
- ▲ TIN PLATE PER ASTM-B-545
3.81 μ m [0.000150] MINIMUM THICK.
- 5. TEST JACK INSERTION DEPTH TO BE .450 IN

3.30 [0.130]	3.30 [0.130]	5415406-2
K	L	PART NUMBER

THIS DRAWING IS A CONTROLLED DOCUMENT.		DRN G. ATTADIA 02FEB2005	Tyco Electronics Corporation Harrisburg, Pa 17105-3608	
DIMENSIONS: mm [INCHES]		CHK J. HAVENER 02FEB2005	TEST PLUG, PCB, RIGHT ANGLE, G SERIES	
TOLERANCES UNLESS OTHERWISE SPECIFIED:		APP'D K. WEIDNER 02FEB2005	RESTRICTED TO	
0 PLCS ± -	1 PLCS ± -	APPLICATION SPEC	SIZE	CAGE CODE
2 PLCS ± -	3 PLCS ± 0.20 [008]	WEIGHT	A2	00779
4 PLCS ± -	ANGLES ± -	FINISH	C=5415406	
MATERIAL SEE NOTES 1-5	FINISH SEE NOTE 6	CUSTOMER DRAWING	SCALE	6:1
		SHEET		1 of 1
		REV		Q

AMP 1471-9 REV 31MM2000

5415406

A