

4

3

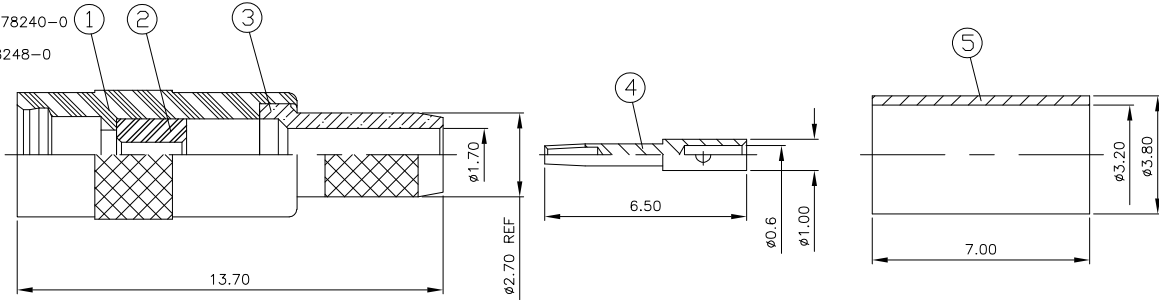
2

1

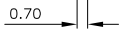
THIS DRAWING IS UNPUBLISHED. RELEASED FOR PUBLICATION NOV. 2003.
 © COPYRIGHT 2003 BY TYCO ELECTRONICS CORPORATION. ALL RIGHTS RESERVED.

LOC		DIST		REVISIONS			
P	LTR	DESCRIPTION		DATE	DWN	APVD	
B		EBD0-0248-03		12NOV03	JMS	FWK	

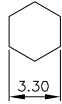
- 1 SINGLE PACK IN ACCORDANCE WITH SPEC 107-3275
- 2 100 TRAY PACK IN ACCORDANCE WITH SPEC 107-3275
- 3 0.76µm Au PLATING OVER 1.27µm Ni PLATING OVER 0.76µm Cu PLATING
- 4 0.08µm Au PLATING OVER 1.27µm Ni PLATING OVER 0.76µm Cu PLATING
- 5 HANDTOOL 9-1478240-0
- 6 DIE SET 9-1478248-0



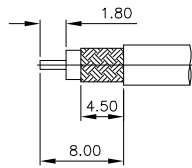
RECOMMENDED
CENTRE CONTACT
A/F SQR



RECOMMENDED
CRIMP SLEEVE
A/F HEX



RECOMMENDED
CABLE STRIPPING DIM'S



QTY	UNIT	MATERIAL	DESCRIPTION	ITEM
1	1	BRASS	CRIMP SLEEVE	5
1	1	BERYLLIUM COPPER	SOCKET	4
1	1	BRASS	BODY	3
1	1	PTFE	INSULATOR	2
1	1	BRASS	BODY	1
6--0	1--0		MATERIAL	DESCRIPTION
				ITEM

THIS DRAWING IS A CONTROLLED DOCUMENT.		DWN J. SANDWELL 12NOV03	Tyco Electronics Corporation Stanmore, Middlesex, HA7 4RS	
DIMENSIONS: MM		CHK S. PARLOW 12NOV03	NAME E. WHEELER-KING	
TOLERANCES UNLESS OTHERWISE SPECIFIED: 0 PLC ± - 1 PLC ± - 2 PLC ± - 3 PLC ± - 4 PLC ± - ANGLES ± -		APVD E. WHEELER-KING 12NOV03	PRODUCT SPEC 108-3462	
MATERIAL SEE TABLE		APPLICATION SPEC 411-3278	SIZE A3	
FINISH SEE TABLE		WEIGHT -	CAGE CODE 00779	DRAWING NO 1634004
		CUSTOMER DRAWING	RESTRICTED TO -	
		SCALE NTS	SHEET 1	OF 1
			REV B	