

4

3

2

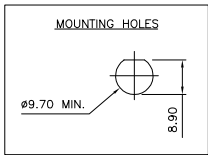
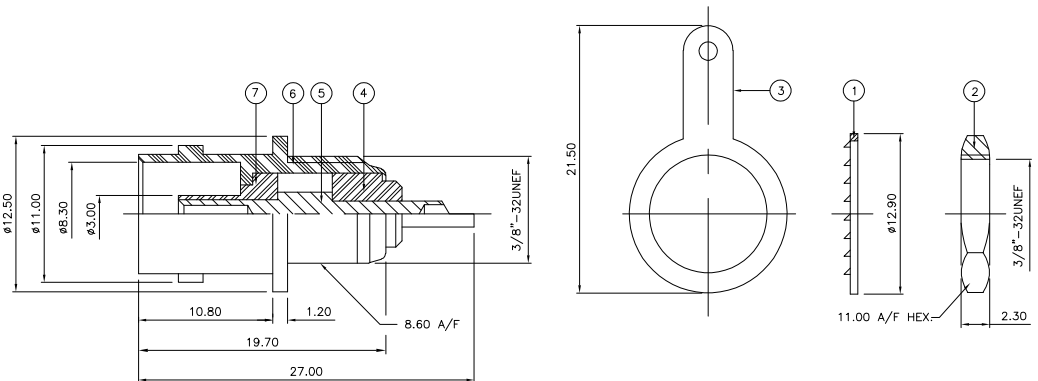
1

THIS DRAWING IS UNPUBLISHED. RELEASED FOR PUBLICATION JAN .2006.
 © COPYRIGHT 2006 BY TYCO ELECTRONICS CORPORATION. ALL RIGHTS RESERVED.

LOC		DIST		REVISIONS			
P	LTR	DESCRIPTION		DATE	DWN	APVD	
C		ECR-06-001518		19JAN06	JMS	FWK	

NOTES:

- ⚠ PACK IN ACCORDANCE WITH AMP SPEC 107-3275
- ⚠ 100 TRAY PACK IN ACCORDANCE WITH AMP SPEC 107-3275
- ⚠ Ag PLATING
- 4 ELECTRICAL CHARACTERISTICS
 FREQUENCY RANGE: DC - 2 GHz
 NOMINAL IMPEDANCE: 75 Ohm
 INSULATION RESISTANCE: 5000 MOhm
 WORKING VOLTAGE: 500 Volts RMS at Sea Level
 DIELECTRIC WITHSTAND VOLTAGE: 1500 Volts RMS Max
 CONTACT RESISTANCE:
 CENTRE CONTACT: 1.50 mOhm Max
 OUTER CONTACT: 0.20 mOhm Max
 VSWR @ xGHz: N/A
 INSERTION LOSS xdb: N/A
- 5 MECHANICAL CHARACTERISTICS
 COUPLING RETENTION FORCE: N/A
 CABLE RETENTION FORCE: N/A
 MOUNT NUT RECOMMENDED TORQUE: 2.5N
 DURABILITY: 500 Cycles Min
- 6 ENVIRONMENTAL CHARACTERISTICS
 OPERATING TEMPERATURE: -65 to +165 DegC



QTY	UNIT	MATERIAL	DESCRIPTION	ITEM
1	1	PTFE	INSULATION	7
1	1	BRASS	△ BODY	6
1	1	BRASS	△ CONTACT	5
1	1	PTFE	INSULATION	4
1	1	BRASS	△ SOLDER TAG	3
1	1	BRASS	△ HEX NUT	2
1	1	STEEL	△ LOCKWASHER	1
6--0	1--0	MATERIAL	DESCRIPTION	ITEM

THIS DRAWING IS A CONTROLLED DOCUMENT.

DIMENSIONS:	TOLERANCES UNLESS OTHERWISE SPECIFIED:	DWN	19JAN06	Tyco Electronics Corporation	
mm		CHK	19JAN06	Bideford EX39 4HE	
		APVD	19JAN06	NAME	
				BNC BULKHEAD SOCKET FRONT MOUNT	
				75 OHM + TAG	
MATERIAL	FINISH	WEIGHT	SIZE	CAGE CODE	DRAWING NO
SEE TABLE			A3	00779	1337504
			CUSTOMER DRAWING	SCALE	NTS
				SHEET	1 OF 1
				REV	C