

4

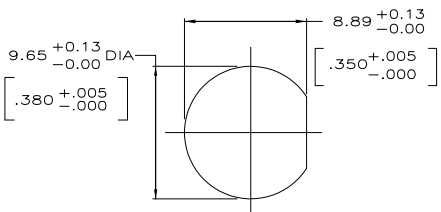
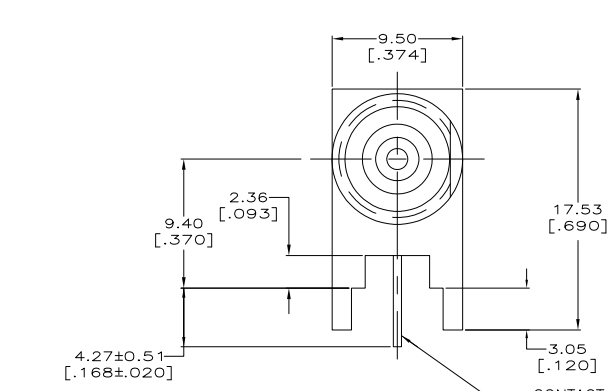
3

2

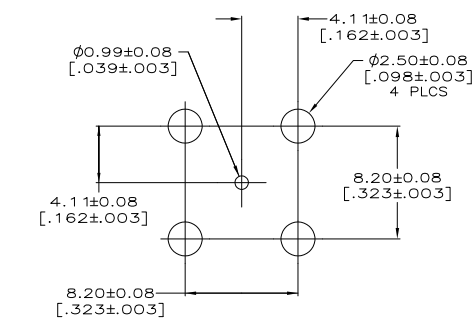
1

THIS DRAWING IS UNPUBLISHED. RELEASED FOR PUBLICATION
 © COPYRIGHT BY TYCO ELECTRONICS CORPORATION. ALL RIGHTS RESERVED.

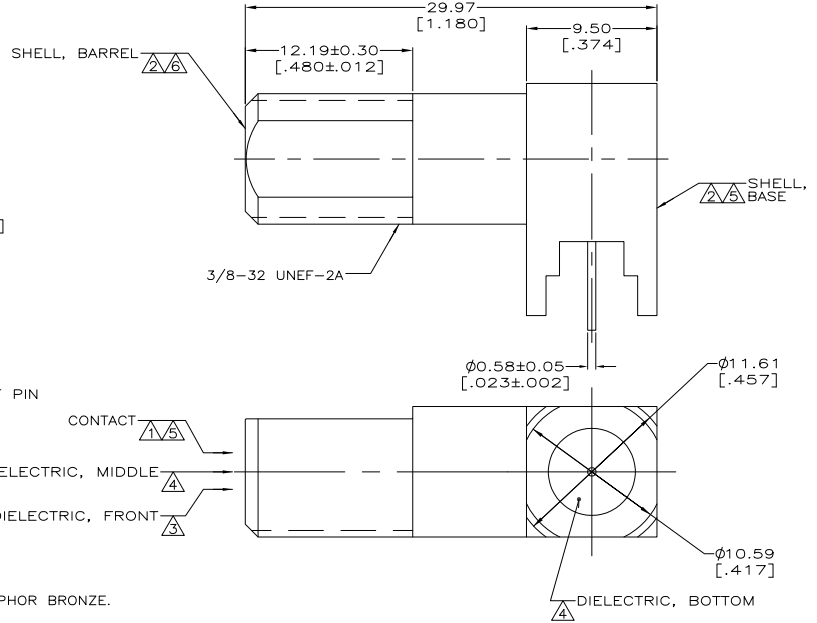
LOC		DIST		REVISIONS				
F	LR	DATE	BY	APP'D	DESCRIPTION	DATE	BY	
AJ	00				REV PER ECO 06-016786	1/23/2007	DW	KW



SUGGESTED PANEL CUTOUT



PCB CONFIGURATION



- △ PHOSPHOR BRONZE.
- △ BRASS.
- △ POLYPROPYLENE, GENERAL PURPOSE
- △ ACETAL, GENERAL PURPOSE
- △ TIN PLATE 2.54 μm [.000100] MINIMUM THICK.
- △ NICKEL PLATE 2.54 μm [.000100] MINIMUM THICK.

7. CONNECTOR WILL ACCEPT CENTER CONDUCTOR DIAMETER RANGE OF 0.51 [.020]-1.19 [.047].

5887078-1
 PART NUMBER

THIS DRAWING IS A CONTROLLED DOCUMENT.		DWN J. VARELA 01FEB2005 CHK DOCKES 01FEB2005 J. HAVENER 01FEB2005 APC K. WEIDNER 01FEB2005	Tyco Electronics Tyco Electronics Corporation Harrisburg, PA 17105-3608
DIMENSIONS: mm [INCHES] 0 PLG ± - 1 PLG ± - 2 PLG ± - 3 PLG ± 0.20 [008] 4 PLG ± - ANGLES ± -	TOLERANCES UNLESS OTHERWISE SPECIFIED: PRODUCT SPEC: 108-1755 APPLICATION SPEC: - WEIGHT: - FINISH: -	NAME: JACK, PCB, RIGHT ANGLE, F SERIES SIZE: A2 CASE CODE: 00779 DRAWING NO: C=5887078	RESTRICTED TO: - SCALE: 5:1 SHEET: 1 of 1 REV: A
MATERIAL: SEE NOTES 1-4	FINISH: SEE NOTE 5 & 6	CUSTOMER DRAWING	

AMP 1471-9 REV 31MM2000

5887078

A