

4

3

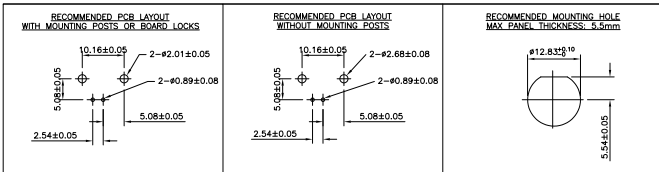
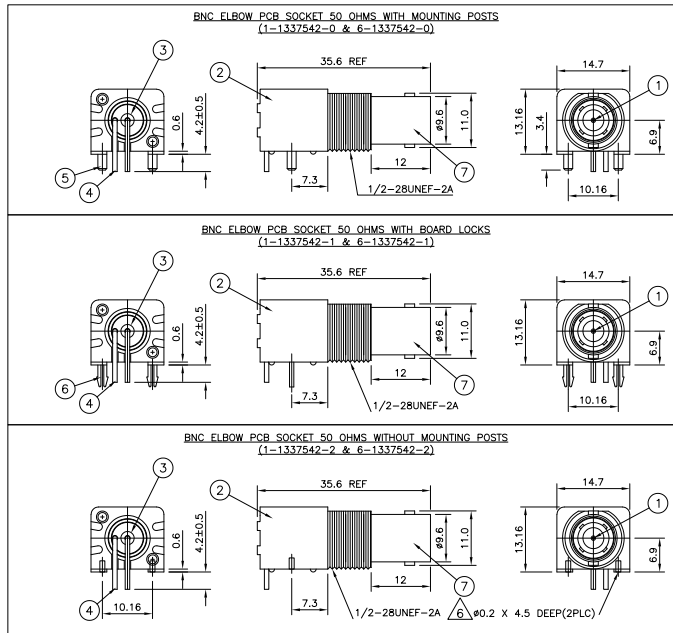
2

1

THIS DRAWING IS UNPUBLISHED. RELEASED FOR PUBLICATION AUGUST 2005.
 © COPYRIGHT 2005 BY TYCO ELECTRONICS CORPORATION. ALL RIGHTS RESERVED.

LOC	DIST	REVISIONS		DATE	BY	APP'D
E	B	F	LR			
		D	ECO-09-003420	14 Feb 09	RITA	BOB

- NOTES:
- SINGLE PACK IN ACCORDANCE WITH AMP SPEC 107-3275
 - 50 TRAY PACK IN ACCORDANCE WITH AMP SPEC 107-3275
 - Au PLATING OVER NI PLATING OVER CU PLATING
 - NI PLATING OVER CU PLATING
 - TIN PLATING
 - RECOMMENDED SELF-TAPPING SCREW 221108-4
 - RECOMMENDED MOUNT NUT 1-1634816-0
 - RECOMMENDED LOCKWASHER 1-1634817-0
 - FOR TECHNICAL DATA REFER TO YOUR LOCAL TYCO ELECTRONICS SALES OFFICE
 - ALL DIMENSIONS ARE NOMINAL FOR REFERENCE ONLY UNLESS OTHERWISE STATED



QTY	DESCRIPTION	ITEM
1	ZINC DIECAST	△ BODY
1	BRASS	△ BOARD LOCK
2	BRASS	△ MOUNTING POST
1	BRASS	△ SOLDER TAIL
1	PC-606	△ INSULATOR
1	PBT WHITE	△ HOUSING
1	BRASS	△ CONTACT
1-2	1-1	1-1
1-2	1-1	1-1
1-2	1-1	1-1
1-2	1-1	1-1

THIS DRAWING IS A CONTROLLED DOCUMENT.

DRW: RITA ZUO 14 Feb 09
 CHK: ANSON MA 14 Feb 09
 APP'D: BOB ZHAO 14 Feb 09

TYCO Electronics Corporation
 Kunshan, Jiangsu, PRC 215312

NAME: BNC LOW PROFILE R/A INSULATED PCB SOCKET
 50 OHM WHITE

PRODUCT SPEC: 108-112000
 APPLICATION SPEC: -

SIZE: A2
 CASE CODE: 00779
 DRAWING NO: C=1337542

RESTRICTED TO: -

MATERIAL: SEE TABLE
 FINISH: SEE TABLE

CUSTOMER DRAWING
 SCALE: NTS
 SHEET: 1 OF 1
 REV: D