

4

3

2

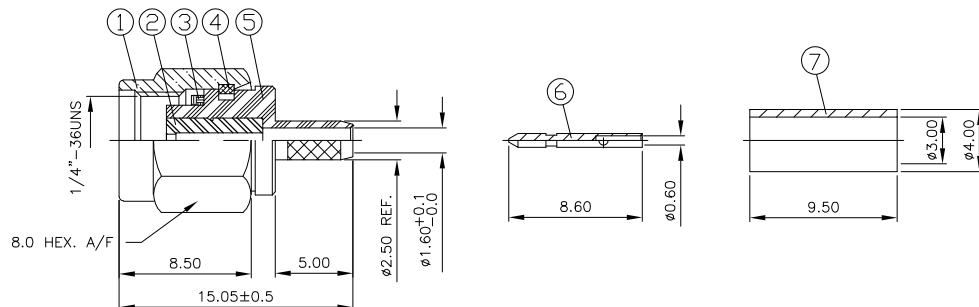
1

THIS DRAWING IS UNPUBLISHED. RELEASED FOR PUBLICATION APRIL, 2004.
 © COPYRIGHT 2004 BY TYCO ELECTRONICS CORPORATION. ALL RIGHTS RESERVED.

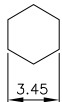
LOC		DIST		REVISIONS			
P	LTR	DESCRIPTION		DATE	DWN	APVD	
A		EBD0-0035-03		03FEB04	RS	FWK	

NOTES:

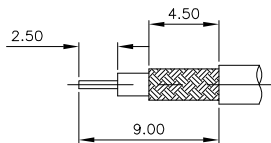
- 1 SINGLE PACK IN ACCORDANCE WITH SPEC 107-3275
- 2 100 TRAY PACK IN ACCORDANCE WITH SPEC 107-3275
- 3 0.08µm Au PLATING OVER 1.27µm Ni PLATING
- 4 0.08µm Au PLATING OVER 1.27µm Ni PLATING OVER 0.76µm Cu PLATING
- 5 0.76µm Au PLATING OVER 1.27µm Ni PLATING OVER 0.76µm Cu PLATING
- 6 PASSIVATED
- 7 WHITE BRONZE PLATING
- 8 PLATING AS PER BODY, EXCEPT FOR PASSIVATED WHICH IS NICKEL PLATED
- 9 HAND TOOL 9-1478240-0
- 10 DIE SET 9-1478248-0
- 11 FOR TECHNICAL DATA REFER TO YOUR LOCAL TYCO ELECTRONICS SALES OFFICE
- 12 ALL DIMENSIONS ARE NOMINAL FOR REFERENCE ONLY UNLESS OTHERWISE STATED



RECOMMENDED CRIMP SLEEVE A/F HEX



RECOMMENDED CABLE STRIPPING DIM'S



1	1	1	1	1	1	1	1	1	BRASS	△	CRIMP SLEEVE	7
1	1	1	1	1	1	1	1	1	BRASS	△	CENTER CONTACT	6
1	1	-	-	-	-	-	-	-	BRASS	△	BODY	5
-	-	1	1	-	-	-	-	-	BRASS	△	BODY	5
-	-	-	-	1	1	-	-	-	STAINLESS STEEL	△	BODY	5
-	-	-	-	-	-	1	1	-	STAINLESS STEEL	△	BODY	5
1	1	1	1	1	1	1	1	1	STAINLESS STEEL	△	CIRCLIP	4
1	1	1	1	1	1	1	1	1	SILICON		GASKET	3
1	1	1	1	1	1	1	1	1	PTFE		INSULATOR	2
1	1	-	-	-	-	-	-	-	BRASS	△	SHELL	1
-	-	1	1	-	-	-	-	-	BRASS	△	SHELL	1
-	-	-	-	1	1	-	-	-	STAINLESS STEEL	△	SHELL	1
-	-	-	-	-	-	1	1	-	STAINLESS STEEL	△	SHELL	1
4--1	4--0	3--1	3--0	2--1	2--0	1--1	1--0		MATERIAL		DESCRIPTION	ITEM
△	△	△	△	△	△	△	△	△				

QUANTITY PER ASSY

PARTS LIST

THIS DRAWING IS A CONTROLLED DOCUMENT.		DWN R.SMITH 03FEB04	Tyco Electronics Corporation	
DIMENSIONS: mm		CHK S.PARLOW 03FEB04	Bideford, UK, EX39 4HE	
TOLERANCES UNLESS OTHERWISE SPECIFIED:		APVD F.WHEELER-KING 03FEB04	NAME SMA STRAIGHT PLUG NON CAPTIVE SOLDER CONTACT	
0 PLC ±		PRODUCT SPEC	CRIMP ATTACHMENT	
1 PLC ±		APPLICATION SPEC	RG174A/U, 188A/U, 316/U, KX3B, KX22A	
2 PLC ±		WEIGHT	SIZE A3	CAGE CODE 00779
3 PLC ±			DRAWING NO	C-1478916
4 PLC ±				
ANGLES ±				
FINISH				
MATERIAL SEE TABLE		CUSTOMER DRAWING		
		SCALE 1:1	SHEET 1 OF 1	REV A