

4

3

2

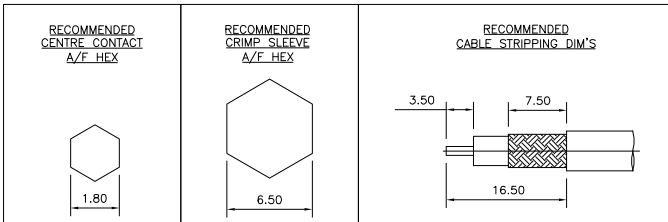
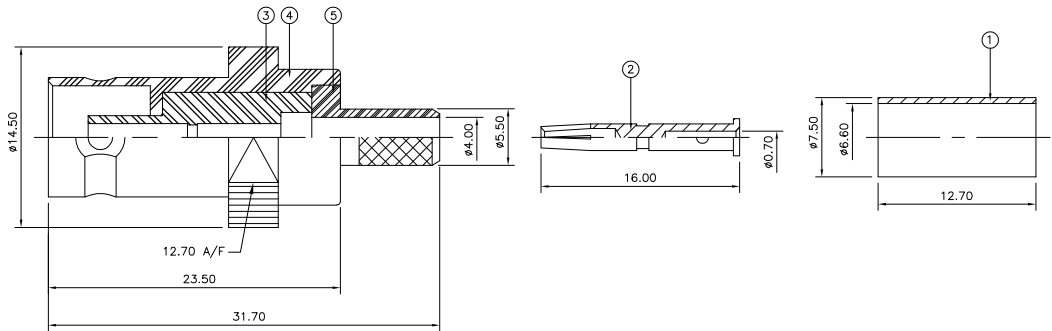
1

THIS DRAWING IS UNPUBLISHED. RELEASED FOR PUBLICATION NOV. 2005.
 © COPYRIGHT 2005 BY TYCO ELECTRONICS CORPORATION. ALL RIGHTS RESERVED.

LOC	DIST	REVISIONS			
P	LTR	DESCRIPTION	DATE	DWN	APVD
	C	ECR-05-016219	24NOV05	JMS	FWK

NOTES:

- 1 PACK IN ACCORDANCE WITH AMP SPEC 107-3275
- 2 100 TRAY PACK IN ACCORDANCE WITH AMP SPEC 107-3275
- 3 Au PLATING
- 4 Ni PLATING
- 5 HAND TOOL : 9-1478240-0
- 6 DIE SET : 9-1478242-0
- 7 ELECTRICAL CHARACTERISTICS
 - FREQUENCY RANGE: DC - 2 GHz
 - NOMINAL IMPEDANCE: 75 Ohm
 - INSULATION RESISTANCE: 5000 MOhm
 - WORKING VOLTAGE: 500 Volts RMS at Sea Level
 - DIELECTRIC WITHSTAND VOLTAGE: 1500 Volts RMS Max
 - CONTACT RESISTANCE:
 - CENTRE CONTACT: 1.50 mOhm Max
 - OUTER CONTACT: 0.20 mOhm Max
 - VSWR @ 2GHz: 1.20:1 Max
 - INSERTION LOSS dB @ x 2 GHz: 0.20 Max
- 8 MECHANICAL CHARACTERISTICS
 - COUPLING RETENTION FORCE: N/A
 - CABLE RETENTION FORCE: 170N Min
 - DURABILITY: 500 Cycles Min
- 9 ENVIRONMENTAL CHARACTERISTICS
 - OPERATING TEMPERATURE: -65 to +165 DegC



QTY	PER ASSY	PARTS LIST	ITEM
1	1	BRASS	CHASSIS 5
1	1	BRASS	BODY 4
1	1	PTFE	INSULATION 3
1	1	BRASS	CONTACT 2
1	1	BRASS	FERRULE 1
6--0	1--0	MATERIAL	DESCRIPTION

THIS DRAWING IS A CONTROLLED DOCUMENT.

DIMENSIONS:	TOLERANCES UNLESS OTHERWISE SPECIFIED:	DWN	24NOV05	Tyco Electronics Corporation Bideford EX39 4HE		
mm		CHK	24NOV05			
		APVD	24NOV05			
		NAME: S. PARLOW, E. WHEELER-KING PRODUCT SPEC: 108-3435 APPLICATION SPEC: 411-3247		NAME: BNC STRAIGHT JACK CRIMP 75 OHM RG59B/U, 62A/U, 140/U, 210/U, URM90, KX6A, KX25, KX52, KX53		
MATERIAL	FINISH	WEIGHT	SIZE	CAGE CODE	DRAWING NO	RESTRICTED TO
SEE TABLE	-	-	A3	00779	1337443	-
CUSTOMER DRAWING			SCALE	NTS	SHEET	1 OF 1
			REV	C		