

4

3

2

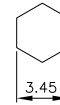
1

THIS DRAWING IS UNPUBLISHED. RELEASED FOR PUBLICATION APRIL, 2004.
 © COPYRIGHT 2004 BY TYCO ELECTRONICS CORPORATION. ALL RIGHTS RESERVED.

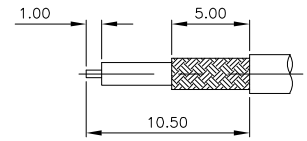
LOC	DIST	REVISIONS			
P	LTR	DESCRIPTION	DATE	DWN	APVD
E	B	A	EBD0-0035-03	04FEB04	RS FWK

- NOTES:
- 1 SINGLE PACK IN ACCORDANCE WITH SPEC 107-3275
 - 2 100 TRAY PACK IN ACCORDANCE WITH SPEC 107-3275
 - 3 0.08µm Au PLATING OVER 1.27µm Ni PLATING
 - 4 0.08µm Au PLATING OVER 1.27µm Ni PLATING OVER 0.76µm Cu PLATING
 - 5 0.76µm Au PLATING OVER 1.27µm Ni PLATING OVER 0.76µm Cu PLATING
 - 6 PASSIVATED
 - 7 WHITE BRONZE PLATING
 - 8 PLATING AS PER BODY, EXCEPT FOR PASSIVATED WHICH IS NICKEL PLATED
- 9 HAND TOOL 9-1478240-0
- 10 DIE SET 9-1478248-0
- 11 FOR TECHNICAL DATA REFER TO YOUR LOCAL TYCO ELECTRONICS SALES OFFICE
- 12 ALL DIMENSIONS ARE NOMINAL FOR REFERENCE ONLY UNLESS OTHERWISE STATED

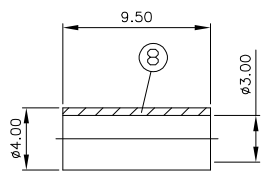
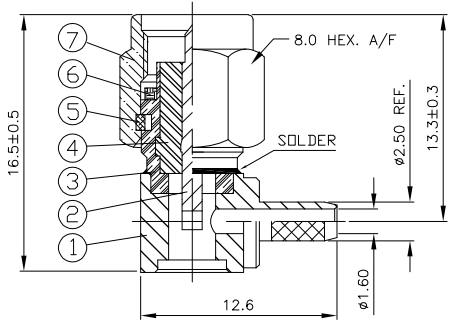
RECOMMENDED
CRIMP SLEEVE
A/F HEX



RECOMMENDED
CABLE STRIPPING DIM'S



QTY	LOC	DIST	PL	LTR	DESCRIPTION	DATE	DWN	APVD	MATERIAL	DESCRIPTION	ITEM							
1	1	-	-	-	-	-	-	-	BRASS	CAP	9							
-	-	1	1	-	-	-	-	-	BRASS	CAP	9							
-	-	-	-	1	1	-	-	-	STAINLESS STEEL	CAP	9							
-	-	-	-	-	-	1	1	-	STAINLESS STEEL	CAP	9							
1	1	1	1	1	1	1	1	-	BRASS	CRIMP SLEEVE	8							
1	1	-	-	-	-	-	-	-	BRASS	SHELL	7							
-	-	1	1	-	-	-	-	-	BRASS	SHELL	7							
-	-	-	-	1	1	-	-	-	STAINLESS STEEL	SHELL	7							
-	-	-	-	-	-	1	1	-	STAINLESS STEEL	SHELL	7							
1	1	1	1	1	1	1	1	-	SILICON	GASKET	6							
1	1	1	1	1	1	1	1	-	STAINLESS STEEL	CIRCLIP	5							
1	1	1	1	1	1	1	1	-	PTFE	INSULATOR	4							
1	1	-	-	-	-	-	-	-	BRASS	BODY	3							
-	-	1	1	-	-	-	-	-	BRASS	BODY	3							
-	-	-	-	1	1	-	-	-	STAINLESS STEEL	BODY	3							
-	-	-	-	-	-	1	1	-	STAINLESS STEEL	BODY	3							
1	1	1	1	1	1	1	1	-	BRASS	CENTER CONTACT	2							
1	1	-	-	-	-	-	-	-	BRASS	BODY	1							
-	-	1	1	-	-	-	-	-	BRASS	BODY	1							
-	-	-	-	1	1	-	-	-	STAINLESS STEEL	BODY	1							
-	-	-	-	-	-	1	1	-	STAINLESS STEEL	BODY	1							
4	-1	4	-0	3	-1	3	-0	2	-1	2	-0	1	-1	1	-0	MATERIAL	DESCRIPTION	ITEM



THIS DRAWING IS A CONTROLLED DOCUMENT.

DWN: R. SMITH (04FEB04)
 CHK: S. PARLOW (04FEB04)
 APVD: F. WHEELER-KING (04FEB04)

NAME: Tyco Electronics Corporation, Bideford, UK, EX39 4HE

PRODUCT SPEC: 108-3460
 APPLICATION SPEC: 411-3276

SIZE: A3, CAGE CODE: 00779, DRAWING NO: 1478924

RESTRICTED TO: -

CUSTOMER DRAWING, SCALE: 1:1, SHEET: 1 OF 1, REV: A