

4

3

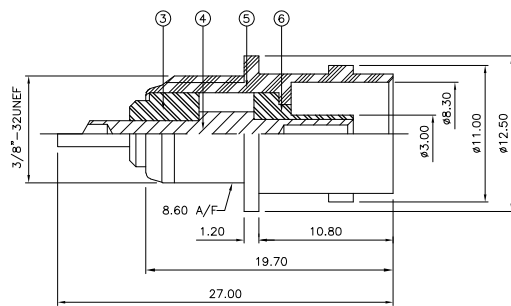
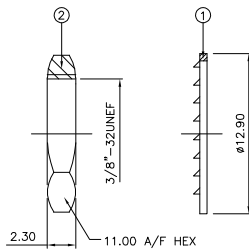
2

1

THIS DRAWING IS UNPUBLISHED. RELEASED FOR PUBLICATION JAN .2006.  
 © COPYRIGHT 2006 BY TYCO ELECTRONICS CORPORATION. ALL RIGHTS RESERVED.

LOC		DIST		REVISIONS			
P	LTR	DESCRIPTION		DATE	DWN	APVD	
	C	ECR-06-001518		25JAN06	JMS	FWK	

- NOTES:**
- ⚠ PACK IN ACCORDANCE WITH AMP SPEC 107-3275
  - ⚠ 100 TRAY PACK IN ACCORDANCE WITH AMP SPEC 107-3275
  - ⚠ Au PLATING
  - ⚠ Ni PLATING
- 5 ELECTRICAL CHARACTERISTICS**
- |                               |                            |
|-------------------------------|----------------------------|
| FREQUENCY RANGE:              | DC - 2 GHz                 |
| NOMINAL IMPEDANCE:            | 75 Ohm                     |
| INSULATION RESISTANCE:        | 5000 MOhm                  |
| WORKING VOLTAGE:              | 500 Volts RMS at Sea Level |
| DIELECTRIC WITHSTAND VOLTAGE: | 1500 Volts RMS Max         |
| CONTACT RESISTANCE:           | 1.50 mOhm Max              |
| CENTRE CONTACT:               | 0.20 mOhm Max              |
| VSWR @ xGHz:                  | N/A                        |
| INSERTION LOSS xdb:           | N/A                        |
- 6 MECHANICAL CHARACTERISTICS**
- |                               |                |
|-------------------------------|----------------|
| COUPLING RETENTION FORCE:     | N/A            |
| CABLE RETENTION FORCE:        | N/A            |
| MOUNT NUT RECOMMENDED TORQUE: | 2.5N           |
| DURABILITY:                   | 500 Cycles Min |
- 7 ENVIRONMENTAL CHARACTERISTICS**
- |                        |                  |
|------------------------|------------------|
| OPERATING TEMPERATURE: | -65 to +165 DegC |
|------------------------|------------------|



QTY	DESCRIPTION	ITEM
1	PTFE	INSULATION
1	BRASS	BODY
1	BRASS	CONTACT
1	PTFE	INSULATION
1	BRASS	HEX NUT
1	STEEL	LOCKWASHER
6--0	MATERIAL	DESCRIPTION

THIS DRAWING IS A CONTROLLED DOCUMENT.		DWN J.SANDWELL 25JAN06	Tyco Electronics Corporation	
DIMENSIONS: mm		CHK S.PARLOW 25JAN06	Bideford EX39 4HE	
TOLERANCES UNLESS OTHERWISE SPECIFIED:		APVD F.WHEELER-KING 25JAN06	NAME BNC BULKHEAD SOCKET FRONT MOUNT 75 OHM LESS SOLDER TAG	
0 PLC ± .05		PRODUCT SPEC	SIZE CAGE CODE DRAWING NO RESTRICTED TO	
1 PLC ± .02		APPLICATION SPEC	A3 00779 C-1337528	
2 PLC ± .01		WEIGHT	CUSTOMER DRAWING	
3 PLC ± .01		FINISH	SCALE NTS SHEET 1 OF 1 REV C	
4 PLC ± .01		SEE TABLE		
ANGLES ± .01				