

4

3

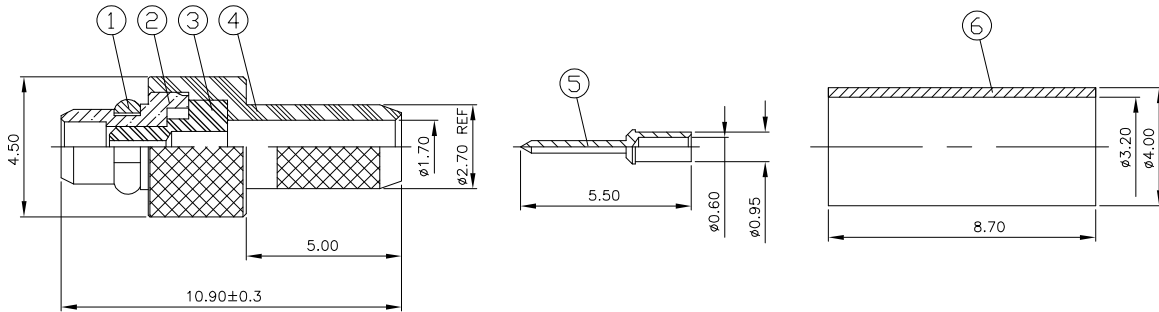
2

1

THIS DRAWING IS UNPUBLISHED. RELEASED FOR PUBLICATION NOV. 2003.
 © COPYRIGHT 2003 BY TYCO ELECTRONICS CORPORATION. ALL RIGHTS RESERVED.

LOC		DIST		REVISIONS			
P	LTR	DESCRIPTION		DATE	DWN	APVD	
B		EBD0-0248-03		12NOV03	JMS	FWK	

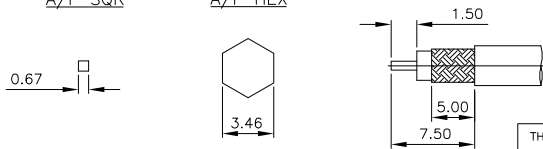
- 1 SINGLE PACK IN ACCORDANCE WITH SPEC 107-3275
- 2 100 TRAY PACK IN ACCORDANCE WITH SPEC 107-3275
- 3 0.76µm Au PLATING OVER 1.27µm Ni PLATING OVER 0.76µm Cu PLATING
- 4 0.08µm Au PLATING OVER 1.27µm Ni PLATING OVER 0.76µm Cu PLATING
- 5 HANDTOOL 9-1478240-0
- 6 DIE SET 9-1478248-0



RECOMMENDED
CENTRE CONTACT
A/F SQR

RECOMMENDED
CRIMP SLEEVE
A/F HEX

RECOMMENDED
CABLE STRIPPING DIM'S



QTY	PER ASSY	MATERIAL	DESCRIPTION	ITEM
1	1	BRASS	CRIMP SLEEVE	6
1	1	BRASS	PIN	5
1	1	BRASS	BODY	4
1	1	PTFE	INSULATOR	3
1	1	BRASS	BODY	2
1	1	BERYLLIUM COPPER	RETAINING RING	1
6--0	1--0			

THIS DRAWING IS A CONTROLLED DOCUMENT.

DWN J. SANDWELL 12NOV03	12NOV03		Tyco Electronics Corporation	
CHK S. PARLOW 12NOV03	12NOV03		Stanmore, Middlesex, HA7 4RS	
APVD E. WHEELER-KING 12NOV03	12NOV03	NAME	MMCX STRAIGHT PLUG CRIMP	
PRODUCT SPEC			RG174 50 OHMS	
APPLICATION SPEC		SIZE	CAGE CODE	DRAWING NO
411-3278		A3	00779	C-1634000
MATERIAL	FINISH	WEIGHT		RESTRICTED TO
CUSTOMER DRAWING			SCALE	SHEET
			NTS	1 OF 1
				REV B