

4

3

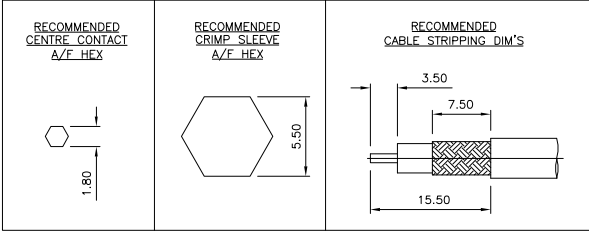
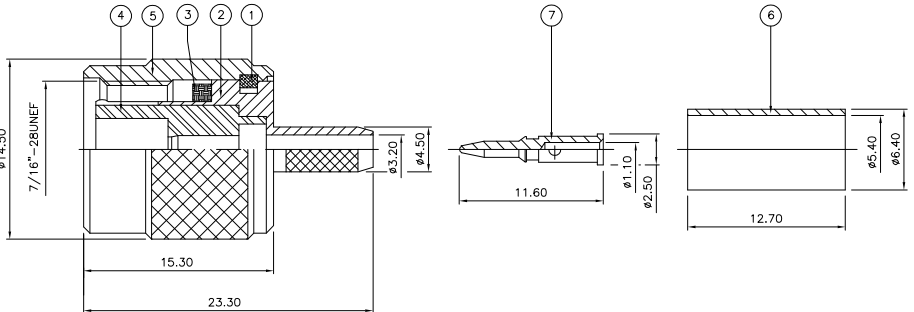
2

1

THIS DRAWING IS UNPUBLISHED. RELEASED FOR PUBLICATION FEB. 2006.  
 © COPYRIGHT 2006 BY TYCO ELECTRONICS CORPORATION. ALL RIGHTS RESERVED.

LOC	DIST	REVISIONS			
P	LTR	DESCRIPTION	DATE	DWN	APVD
C		ECR-06-002568	15FEB06	JMS	FWK

- NOTES:**
- ▲ PACK IN ACCORDANCE WITH AMP SPEC 107-3275
  - ▲ 100 TRAY PACK IN ACCORDANCE WITH AMP SPEC 107-3275
  - ▲ Au PLATING
  - ▲ Ni PLATING
  - ▲ THIS ITEM MUST BE WHITE
  - 6 HAND TOOL : 9-1478240-0
  - 7 DIE SET : 9-1478242-0
  - 8 **ELECTRICAL CHARACTERISTICS**
    - FREQUENCY RANGE: DC - 11 GHz
    - NOMINAL IMPEDANCE: 50 Ohm
    - INSULATION RESISTANCE: 5000 MOhm
    - WORKING VOLTAGE: 500 Volts RMS at Sea Level
    - DIELECTRIC WITHSTAND VOLTAGE: 1500 Volts RMS Max
    - CONTACT RESISTANCE: 1.50 mOhm Max
    - CENTRE CONTACT: 1.00 mOhm Max
    - OUTER CONTACT: 1.30:1 Max
    - VSWR @ 4GHz: 1.30:1 Max
    - INSERTION LOSS dB @ x 3 GHz: 0.20 Max
  - 9 **MECHANICAL CHARACTERISTICS**
    - COUPLING NUT RETENTION FORCE: 445N Min
    - CABLE RETENTION FORCE: 170N Min
    - DURABILITY: 500 Cycles Min
  - 10 **ENVIRONMENTAL CHARACTERISTICS**
    - OPERATING TEMPERATURE: -65 to +165 DegC



QTY	1	1	MATERIAL	DESCRIPTION	ITEM
	1	1	BRASS	CONTACT	7
	1	1	BRASS	FERRULE	6
	1	1	BRASS	COUPLING NUT	5
	1	1	PTFE	INSULATION	4
	1	1	SILICONE RUBBER	GASKET	3
	1	1	BRASS	BODY	2
	1	1	BRASS	CIRCLIP	1
6-0	1-0		MATERIAL	DESCRIPTION	ITEM

THIS DRAWING IS A CONTROLLED DOCUMENT.

DIMENSIONS: mm	TOLERANCES UNLESS OTHERWISE SPECIFIED:	DWN J. SANDWELL 15FEB06	15FEB06	Tyco Electronics Corporation Bideford EX39 4HE
	0 PLC ± -	CHK S. PARLOW 15FEB06	15FEB06	
	1 PLC ± -	APVD F. WHEELER-KING 15FEB06	NAME	
	2 PLC ± -		PRODUCT SPEC	
MATERIAL SEE TABLE	FINISH -	APPLICATION SPEC 411-3247	WEIGHT -	TNC STRAIGHT PLUG CRIMP 50 OHM RG58C/U, 141A/U, URM43, 76 & BELDEN 9907, KX15
		CUSTOMER DRAWING	SCALE NTS	SIZE A3 CAGE CODE 00779 DRAWING NO C=1337613 RESTRICTED TO SHEET 1 OF 1 REV C

AMP 1470-19 REV 31MAR2000