

4

3

2

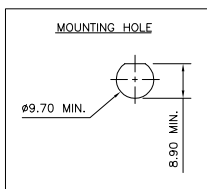
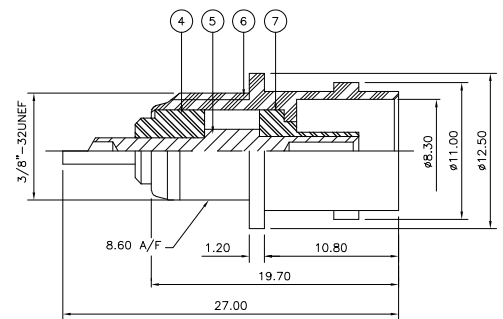
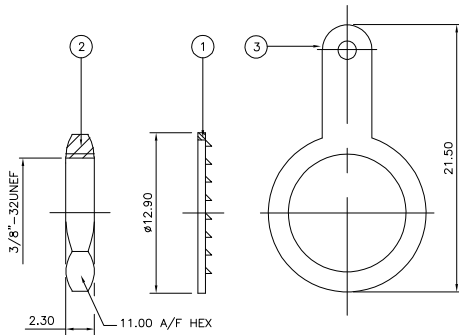
1

THIS DRAWING IS UNPUBLISHED. RELEASED FOR PUBLICATION JUNE, 2006.
 © COPYRIGHT 2006 BY TYCO ELECTRONICS CORPORATION. ALL RIGHTS RESERVED.

LOC		DIST		REVISIONS			
P	LTR	DESCRIPTION		DATE	DWN	APVD	
B		ECR-06-013423		14JUN06	RS	FWK	

NOTES:

- ▲ PACK IN ACCORDANCE WITH AMP SPEC 107-3275
- ▲ 100 TRAY PACK IN ACCORDANCE WITH AMP SPEC 107-3275
- ▲ Au PLATING
- ▲ Ni PLATING
- 5 **ELECTRICAL CHARACTERISTICS**
 FREQUENCY RANGE: DC - 2 GHz
 NOMINAL IMPEDANCE: 75 Ohm
 INSULATION RESISTANCE: 5000 MOhm
 WORKING VOLTAGE: 500 Volts RMS at Sea Level
 DIELECTRIC WITHSTAND VOLTAGE: 1500 Volts RMS Max
 CONTACT RESISTANCE:
 CENTRE CONTACT: 1.50 mOhm Max
 OUTER CONTACT: 0.20 mOhm Max
 VSWR @ xGHz: N/A
 INSERTION LOSS xdb: N/A
- 6 **MECHANICAL CHARACTERISTICS**
 COUPLING RETENTION FORCE: N/A
 CABLE RETENTION FORCE: N/A
 MOUNT NUT RECOMMENDED TORQUE: 2.5N
 DURABILITY: 500 Cycles Min
- 7 **ENVIRONMENTAL CHARACTERISTICS**
 OPERATING TEMPERATURE: -65 to +165 DegC
- 8 FOR TECHNICAL DATA REFER TO YOUR LOCAL TYCO ELECTRONICS SALES OFFICE
- 9 ALL DIMENSIONS ARE NOMINAL FOR REFERENCE ONLY UNLESS OTHERWISE STATED



QTY	DESCRIPTION	MATERIAL	ITEM
1	INSULATION	PTFE	7
1	BODY	BRASS	6
1	CONTACT	BRASS	5
1	INSULATION	PTFE	4
1	SOLDER TAG	BRASS	3
1	HEX NUT	BRASS	2
1	LOCKWASHER	STEEL	1
6--0	MATERIAL		
1--0	DESCRIPTION		

THIS DRAWING IS A CONTROLLED DOCUMENT.

DIMENSIONS:	TOLERANCES UNLESS OTHERWISE SPECIFIED:	DWN	14JUN06	Tyco Electronics Corporation	
mm		CHK	14JUN06	Bideford EX39 4HE	
		APVD	14JUN06	NAME	
				BNC BULKHEAD SOCKET FRONT MOUNT + TAG 75 OHM	
				SIZE	RESTRICTED TO
MATERIAL	FINISH	WEIGHT		A3 00779 C-1478049	
SEE TABLE				CUSTOMER DRAWING	SCALE NTS SHEET 1 of 1 REV B