

4

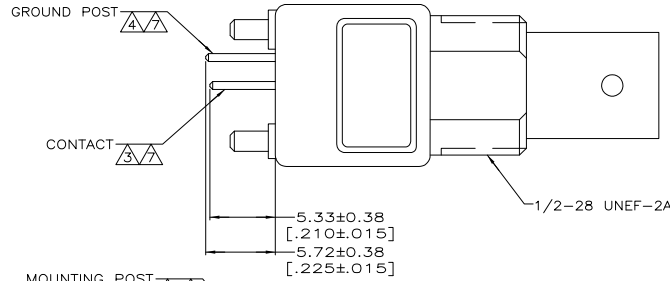
3

2

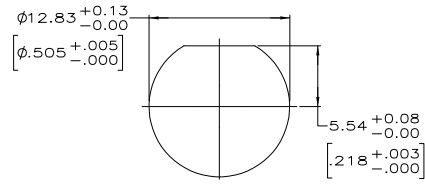
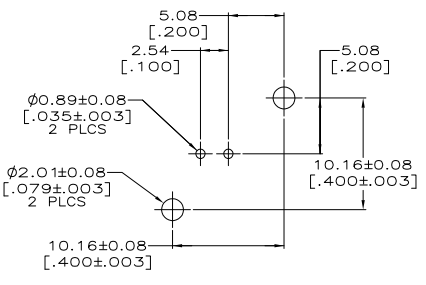
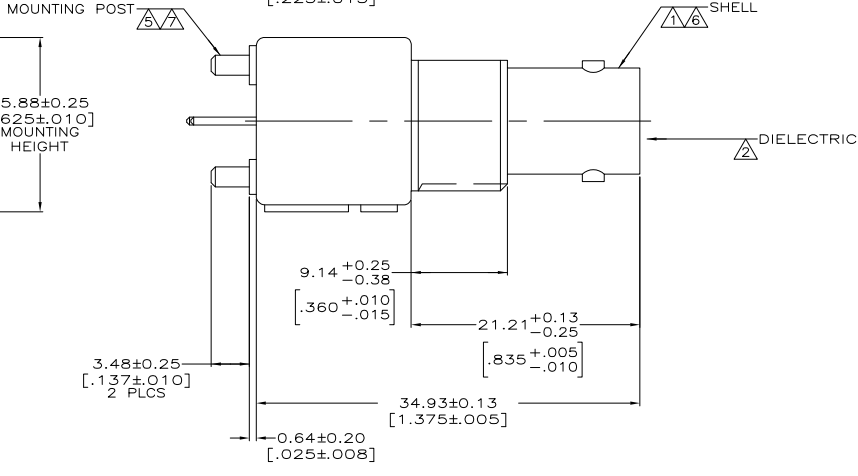
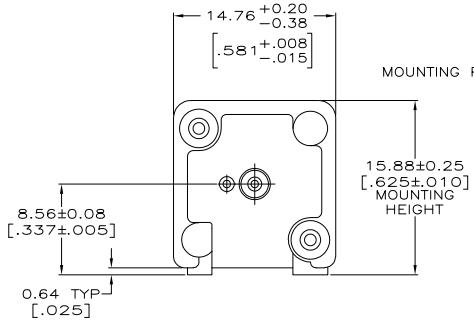
1

THIS DRAWING IS UNPUBLISHED. RELEASED FOR PUBLICATION. BY TYCO ELECTRONICS CORPORATION. ALL RIGHTS RESERVED.

LOC	DIST	REVISIONS		
F	LNK	DESCRIPTION	DATE	BY
AJ	16	REVISED PER EC 0514-0150-05	28OCT2005	REH JL



- ▲ ZINC DIE CAST PER QQ-Z-363
- ▲ POLYMETHYLPENTENE PER ASTM-D-1238
- ▲ PHOSPHOR BRONZE PER QQ-B-750
- ▲ BRASS PER ASTM-B-453
- ▲ BRASS PER ASTM-B-16
- ▲ NICKEL PLATE PER QQ-N-290, 3.81µm [.000150] MIN THICKNESS
- ▲ TIN PLATE PER ASTM-B-545, 3.81µm [.000150] MIN THICKNESS
- 8. USE INSTRUCTION SHEET 408-2769



5415520-1
PART NUMBER

THIS DRAWING IS A CONTROLLED DOCUMENT.		DR: G. ATTADA 22APR2005	Tyco Electronics Corporation	
		CHK: J. HAVENER 22APR2005	Harrisburg, PA 17105-3608	
DIMENSIONS: mm (INCHES)		APPROVED: J. LIPPERT 22APR2005	JACK, VERTICAL, 75 OHM, PCB, BNC	
TOLERANCES UNLESS OTHERWISE SPECIFIED:		PRODUCT SPEC: 108-12078	SIZE: CASE CODE: DRAWING NO: A2 00779 ©=5415520	
0 PLC ± .01		APPLICATION SPEC: -	RESTRICTED TO: -	
1 PLC ± .02		WEIGHT: -	SCALE: 4:1 SHEET 1 of 1 REV A	
2 PLC ± .03		MATERIAL: -		
3 PLC ± .04		FINISH: -		
4 PLC ± .05		SEE NOTES		
ANGLES: -		SEE NOTES		
MATERIAL: -		CUSTOMER DRAWING		

AMP 1471-9 REV 31MAR2000