

4

3

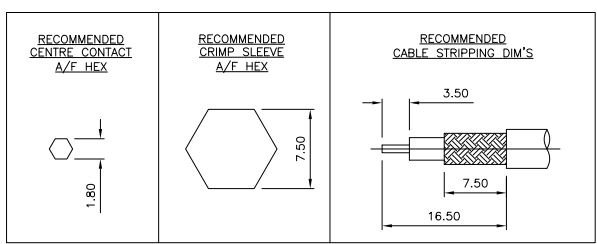
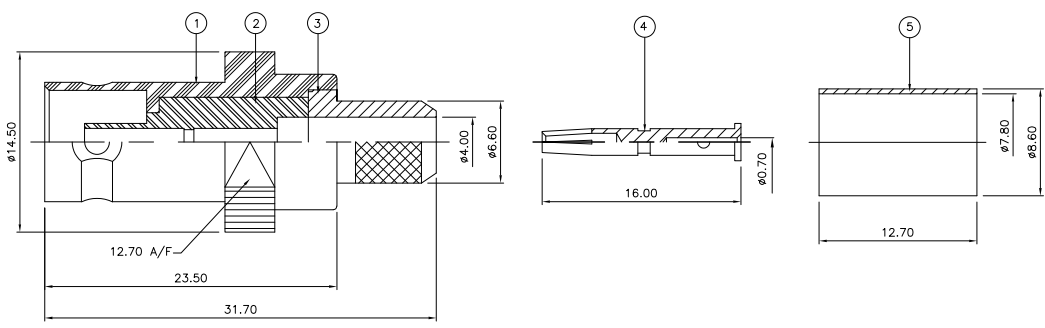
2

1

THIS DRAWING IS UNPUBLISHED. RELEASED FOR PUBLICATION JUN. 2006.  
 © COPYRIGHT 2006 BY TYCO ELECTRONICS CORPORATION. ALL RIGHTS RESERVED.

LOC	DIST	REVISIONS			
P	LTR	DESCRIPTION	DATE	DWN	APVD
C		ECO-09-018312	30AUG2009	AM	BOB

- NOTES:**
- 1. PACK IN ACCORDANCE WITH AMP SPEC 107-3275
  - 2. 100 TRAY PACK IN ACCORDANCE WITH AMP SPEC 107-3275
  - 3. Au PLATING
  - 4. Ni PLATING
  - 5. HAND TOOL : 9-1478240-0
  - 6. DIE SET : 9-1478247-0
  - 7. **ELECTRICAL CHARACTERISTICS**
    - FREQUENCY RANGE: DC - 2 GHz
    - NOMINAL IMPEDANCE: 75 Ohm
    - INSULATION RESISTANCE: 5000 MOhm
    - WORKING VOLTAGE: 500 Volts RMS at Sea Level
    - DIELECTRIC WITHSTAND VOLTAGE: 1500 Volts RMS Max
    - CONTACT RESISTANCE: 1.50 mOhm Max
    - CENTRE CONTACT: 0.20 mOhm Max
    - OUTER CONTACT: 1.20:1 Max
    - VSWR @ 2GHz: 1.20:1 Max
    - INSERTION LOSS dB @ x 2 GHz: 0.20 Max
  - 8. **MECHANICAL CHARACTERISTICS**
    - COUPLING RETENTION FORCE: N/A
    - CABLE RETENTION FORCE: 170N Min
    - DURABILITY: 500 Cycles Min
  - 9. **ENVIRONMENTAL CHARACTERISTICS**
    - OPERATING TEMPERATURE: -65 to +165 DegC
  - 10. FOR TECHNICAL DATA REFER TO YOUR LOCAL TYCO ELECTRONICS SALES OFFICE
  - 11. ALL DIMENSIONS ARE NOMINAL FOR REFERENCE ONLY UNLESS OTHERWISE STATED
  - 12. PART VERSION:1-1478070-0 REV.B



OBSOLETE

QTY	DESCRIPTION	ITEM
1	BRASS	FERRULE
1	BRASS	CONTACT
1	BRASS	CHASSIS
1	PTFE	INSULATION
1	BRASS	BODY
6-0	1--0	MATERIAL DESCRIPTION

THIS DRAWING IS A CONTROLLED DOCUMENT.

DWN	J. SANDWELL	15JUN06
CHK	S. PARLOW	15JUN06
APVD	E. WHEELER-KING	15JUN06

**Tyco Electronics** Tyco Electronics Corporation  
Bideford EX39 4HE

NAME: BNC STRAIGHT JACK CRIMP 75 OHM  
BT2003

APPLICATION SPEC: 411-3247

WEIGHT: -

SIZE: A3 CAGE CODE: 00779 DRAWING NO: 1478070 RESTRICTED TO: -

CUSTOMER DRAWING SCALE: NTS SHEET 1 OF 1 REV C