

4

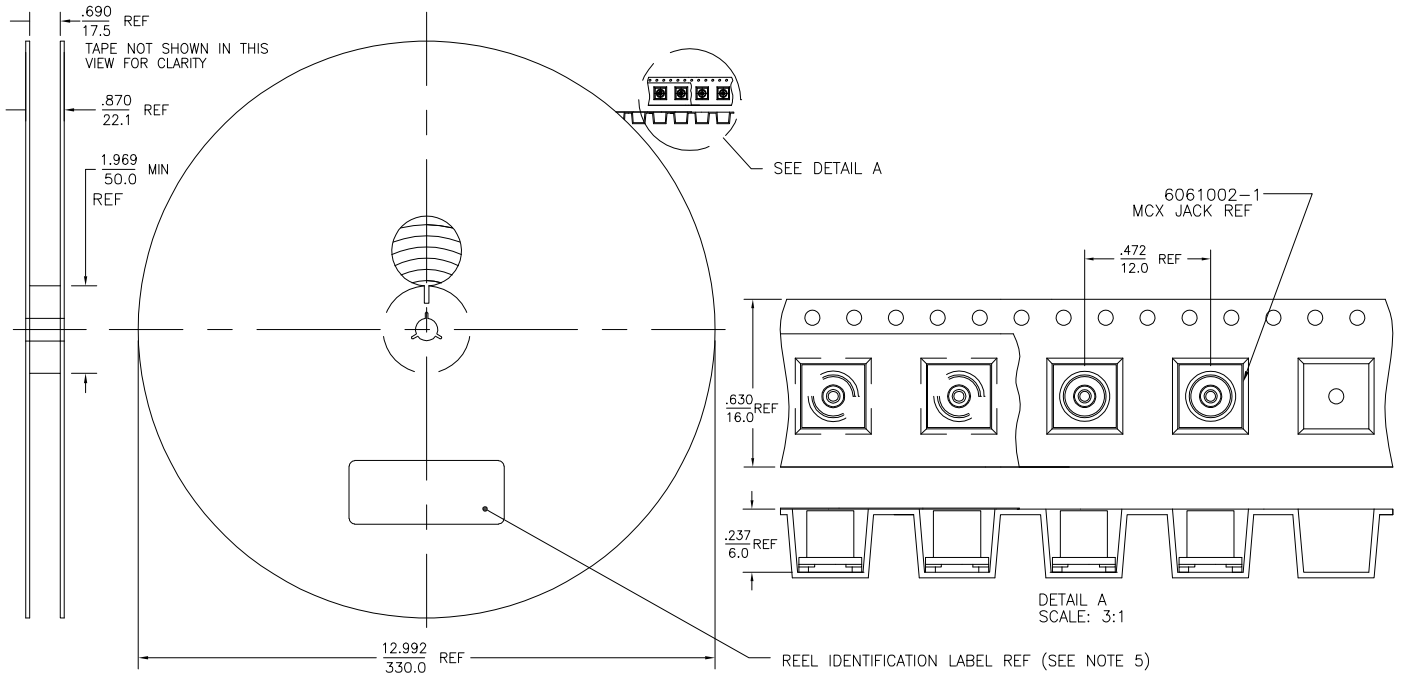
3

2

1

THIS DRAWING IS UNPUBLISHED. RELEASED FOR PUBLICATION  
 © COPYRIGHT - BY TYCO ELECTRONICS CORPORATION. ALL RIGHTS RESERVED.

LOC	DIST	REVISIONS			
P	LTR	DESCRIPTION	DATE	DWN	APVD
AJ	00				
B		REV PER ECO 06-006349	21MAR2007	DW	KW



1. TAPE, REEL, AND TAPING SHALL MEET THE REQUIREMENTS OF EIA-481-2.
2. EMBOSSED TAPE SHALL BE CONDUCTIVE TYPE.
3. FOR PART ORIENTATION IN TAPE SEE DETAIL A.
4. REEL SHALL CONTAIN 900 PIECES P/N 6061002-1
5. REEL IDENTIFICATION LABEL SHALL BE PRINTED WITH REEL P/N, CONNECTOR P/N, MANUFACTURER QTY, AND TAPING DATE AS A MINIMUM.

6061092-1  
PART NUMBER

THIS DRAWING IS A CONTROLLED DOCUMENT.		DWN L. VARELA - DOCKS 01FEB2005	<b>tyco</b> <b>Electronics</b>	Tyco Electronics Corporation Harrisburg, PA 17105-3608	
DIMENSIONS: INCHES (mm)		CHK J. HAVENER 01FEB2005		NAME	TAPE & REEL PACKAGING MCX JACK, 330mm REEL (900 PARTS PER REEL) (5899-5004-54)
TOLERANCES UNLESS OTHERWISE SPECIFIED:		APVD K. WEIDNER 01FEB2005	SIZE	CAGE CODE	DRAWING NO
0 PLC ± -		PRODUCT SPEC	A3	00779	C-6061092
1 PLC ± -		APPLICATION SPEC	WEIGHT	RESTRICTED TO	
2 PLC ± -					
3 PLC ± -					
4 PLC ± -					
ANGLES ± 1°					
MATERIAL	FINISH				
CUSTOMER DRAWING			SCALE	SHEET	REV
			1:2	1 of 1	B

AMP 1470-19 REV 31MAR2000