

4

3

2

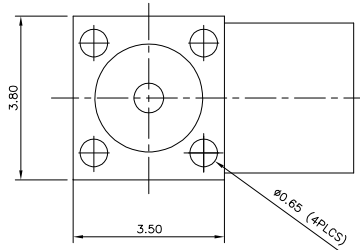
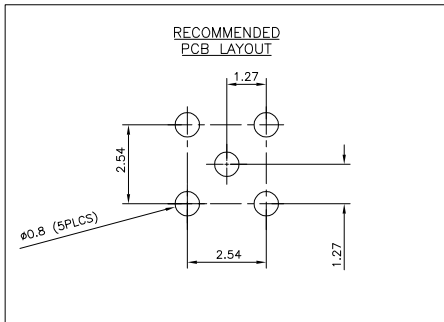
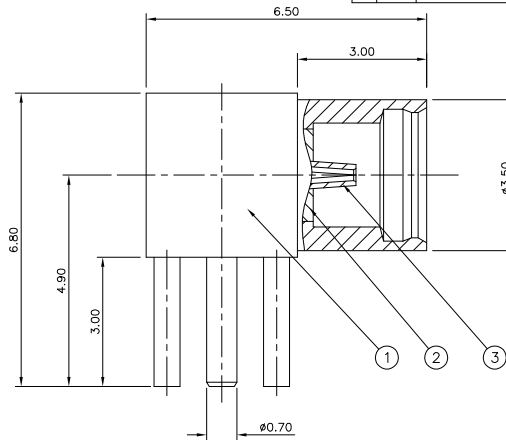
1

THIS DRAWING IS UNPUBLISHED. RELEASED FOR PUBLICATION NOV. 2003.
 © COPYRIGHT 2003 BY TYCO ELECTRONICS CORPORATION. ALL RIGHTS RESERVED.

LOC	DIST	REVISIONS			
P	LTR	DESCRIPTION	DATE	DWN	APVD
	D	EBD0-0226-05	13MAY05	JMS	FWK

NOTES:

- △ SINGLE PACK IN ACCORDANCE WITH AMP SPEC 107-3275
- △ 50 TRAY PACK IN ACCORDANCE WITH AMP SPEC 107-3275
- △ Au PLATING OVER Ni PLATING OVER Cu PLATING
- 4. CHARACTERISTICS
 - FREQUENCY RANGE: DC-6GHz
 - NOMINAL IMPEDANCE: 50 OHMS
 - WORKING VOLTAGE: 170V RMS
 - INSULATION RESISTANCE: 1000 MOHMS
 - DIELECTRIC WITHSTAND VOLTAGE: 500V RMS
 - CONTACT RESISTANCE: 5.0 mOHMS
 - CENTRE CONTACT
- 5. MECHANICAL CHARACTERISTICS
 - DURABILITY: 500 CYCLES
- 6. FOR TECHNICAL DATA REFER TO YOUR LOCAL TYCO ELECTRONICS SALES OFFICE
- 7. ALL DIMENSIONS ARE NOMINAL FOR REFERENCE ONLY UNLESS OTHERWISE STATED



QTY	1	1	MATERIAL	DESCRIPTION	ITEM
			BERYLLIUM COPPER △	SOCKET	3
			PTFE	INSULATOR	2
			BRASS △	BODY	1
	6--0	1--0			

THIS DRAWING IS A CONTROLLED DOCUMENT.

DIMENSIONS:	TOLERANCES UNLESS OTHERWISE SPECIFIED:	DWN	J. SANDWELL	12NOV03
MM	0 PLC ± .05	CHK	S. PARLOW	12NOV03
	1 PLC ± .05	APVD	F. WHEELER-KING	12NOV03
	2 PLC ± .05	NAME		
	3 PLC ± .05	Tyco Electronics Corporation		
	4 PLC ± .05	Stanmore, Middlesex, HA7 4RS		
	ANGLES ± .05	PRODUCT SPEC		
MATERIAL	FINISH	108-3462		
SEE TABLE	SEE TABLE	APPLICATION SPEC		
		411-3280		
		WEIGHT		
		A3 00779 C-1634010		
		CUSTOMER DRAWING		

SIZE	CAGE CODE	DRAWING NO	RESTRICTED TO
A3	00779	C-1634010	-

SCALE	SHEET	OF	REV
NTS	1	1	D