

4

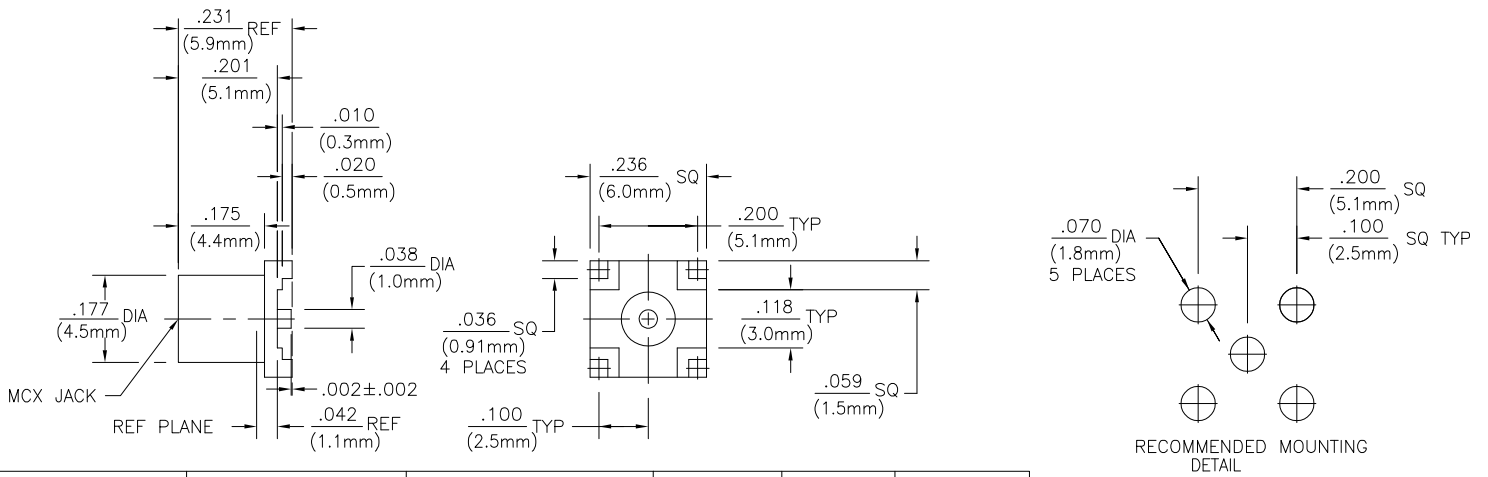
3

2

1

THIS DRAWING IS UNPUBLISHED. RELEASED FOR PUBLICATION
 © COPYRIGHT - BY TYCO ELECTRONICS CORPORATION. ALL RIGHTS RESERVED.

LOC	DIST	REVISIONS				
P	LTR	DESCRIPTION	DATE	DWN	APVD	
AJ	00	REV PER ECO 06-016771	1/18/2007	DW	KW	



ELECTRICAL	MECHANICAL	ENVIRONMENTAL	HOUSING	BRASS PER ASTM-B-16 HALF HARD	TIN PLATE PER ASTM-B-545
Nominal Impedance (Ohms) <u>50</u>	Interface Dimensions <u>MIL-STD-348</u>	Temperature Rating <u>-65°C to +165°C</u>	DIELECTRIC	PTFE FLUOROCARBON PER ASTM-D-1457	-
Frequency Range (GHz) <u>DC to 6.0</u>	Mating Characteristics:	Vibration <u>MIL-STD-202, Method 204,</u>	CENTER CONTACT	BE-CU PER ASTM-B-196, ALLOY C17300, CONDITION H	GOLD PLATE PER MIL-G-45204
Volt Rating (VRMS MAX)	Insertion (MAX Lbs) <u>3.4</u>	Condition B	COMPONENT	MATERIAL	FINISH
⊙ Sea Level <u>500</u>	Withdrawal (MIN Oz) <u>1.77MIN- 4.50 MAX</u>	Shock <u>MIL-STD-202, Method 107,</u>			
VSWR <u>N/A</u>	Center Contact Captivation:	Condition B			
Insertion Loss (dB MAX) <u>N/A</u>	Axial (Lbs) <u>1.5LBS @ 1 MIN.</u>	Thermal Shock <u>MIL-STD-202, Method 107,</u>			
RF Leakage (dB MIN) (Interface Only)	WITH <u>.006" DISPLACEMENT</u>	Condition B			
Fully Mated) <u>N/A</u>	Cable Retention:	Except High Temperature <u>N/A</u>			
Corona 70,000 FI (VRMS MIN) <u>250</u>	Axial Force (Lbs) <u>N/A</u>	Moisture Resistance <u>MIL-STD-202,</u>			
Dielectric Withstanding Voltage	Torque (In/Oz) <u>N/A</u>	Method 106			
(VRMS MIN) ⊙ Sea Level <u>1000</u>	Weight (Grams) <u>N/A</u>	Corrosion <u>MIL-STD-202, Method 101,</u>			
Contact Resistance (Milliohms MAX)		Condition B <u>@48 HOURS</u>			
Center Contact <u>5.0</u>					
Outer Contact <u>1.0</u>					
Cable to Housing <u>0.5</u>					
RF High Potential ⊙ Sea Level					
(VRMS MIN ⊙ 5 MHz) <u>670</u>					
I.R. (MegaOhmz MIN) <u>10,000</u>					

6061002-1
PART NUMBER

THIS DRAWING IS A CONTROLLED DOCUMENT.

DIMENSIONS:	TOLERANCES UNLESS OTHERWISE SPECIFIED:
INCHES (mm)	
0 PLC	± .005
1 PLC	± .005
2 PLC	± .005
3 PLC	± .005
4 PLC	± .005
ANGLES	± 1°
MATERIAL	FINISH
SEE TABLE	SEE TABLE

DWN	L. VARELA - DOCKS	01FEB2005
CHK	J. HAVENER	01FEB2005
APVD	K. WEIDNER	01FEB2005
PRODUCT SPEC		
APPLICATION SPEC		
WEIGHT		
CUSTOMER DRAWING		

tyco
Electronics

Tyco Electronics Corporation
Harrisburg, PA 17105-3608

NAME
**MCX PRINTED WIRING BOARD
JACK RECEPTACLE STRAIGHT TERMINAL**

SIZE CAGE CODE DRAWING NO RESTRICTED TO
A3 00779 C-6061002

SCALE 5:1 SHEET 1 OF 1 REV A

AMP 1470-19 REV 31MAR2000