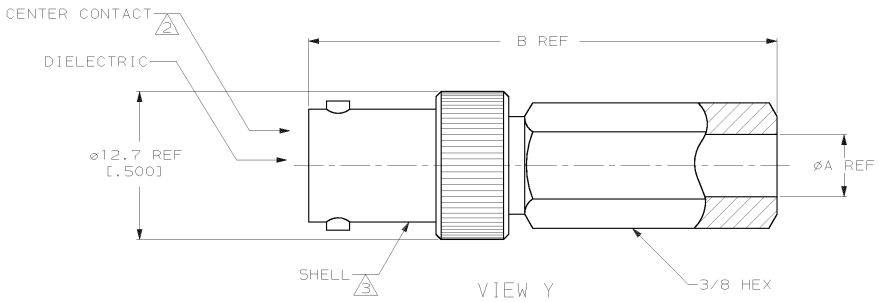
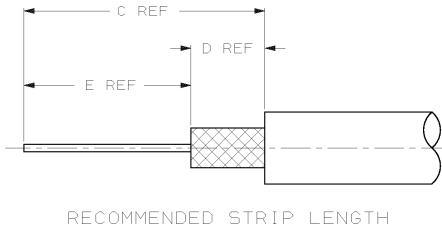
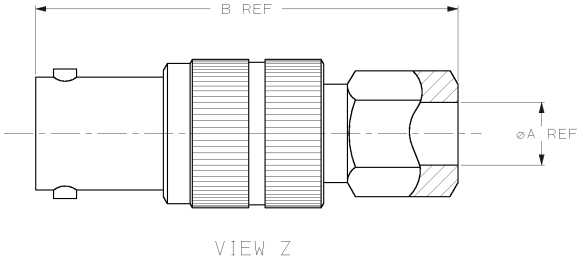


DRAWING MADE IN THIRD ANGLE PROJECTION
 THIS DRAWING IS UNPUBLISHED. RELEASED FOR PUBLICATION
 © COPYRIGHT 19 BY AMP INCORPORATED. ALL INTERNATIONAL RIGHTS RESERVED.

LOG	DIST	P	F	ZONE	LTR	REVISIONS	DATE	APPD
AJ	16			H		OBS -7 PER 0U20-0076-01	23FEB01	MO



- △ MATERIAL:
SHELL: BRASS
CENTER CONTACT: PHOSPHOR BRONZE
DIELECTRIC: SEE TABLE
- △ GOLD PLATING
- △ NICKEL PLATING
- 4. PRODUCT MADE IN TAIWAN
- 5. SEE I.S. 6996



FOR USE WITH CABLE	DIELECTRIC	E REF	D REF	C REF	B REF	ØA	VIEW	PART NUMBER	
OBSELETE BELDEN 88241	ACETAL	14.30 [0.563]	6.35 [0.250]	20.65 [0.813]	40.13 [1.580]	.193	Y	1-222428-3	
OBSELETE BELDEN 88240	ACETAL	14.30 [0.563]	6.35 [0.250]	20.65 [0.813]	40.13 [1.580]	.165	Y	1-222428-1	
SUPERSEDED BY 222428-1	PTFE	14.30 [0.563]	6.35 [0.250]	20.65 [0.813]	40.13 [1.580]	.224	Y	1-222428-0	
SUPERSEDED BY 222428-1	RG-59/U, 59A/U, 59B/U, 62/U, 62A/U	ACETAL	10.49 [0.413]	3.18 [0.125]	14.48 [0.570]	36.07 [1.420]	.217	Z	222428-9
OBSELETE BELDEN 58B/U	ACETAL	14.30 [0.563]	6.35 [0.250]	20.65 [0.813]	40.13 [1.580]	.185	Y	222428-7	
OBSELETE BELDEN 8281	ACETAL	14.30 [0.563]	6.35 [0.250]	20.65 [0.813]	40.13 [1.580]	.287	Y	222428-5	
SUPERSEDED BY 222428-1	RG-59/U, 59A/U, 59B/U, 62/U, 62A/U	PTFE	14.30 [0.563]	6.35 [0.250]	20.65 [0.813]	40.13 [1.580]	.224	Y	222428-2
SUPERSEDED BY 222428-1	RG-59/U, 59A/U, 59B/U, 62/U, 62A/U	ACETAL	10.49 [0.413]	3.18 [0.125]	14.48 [0.570]	36.07 [1.420]	.217	Z	222428-1

DO NOT SCALE PRINT. UNLESS SPECIFIED DIMENSIONS IN mm (INCHES) TOLERANCES ON : 2 PLC DEC ± - 3 PLC DEC ± - ANGLES ± -		DR 1-25-91 M.E. COWHER	PART NO	
MATERIAL △	FINISH △ 2 △ 3	CHK 2-19-91 M. PHILLIPS	AMP AMP Incorporated Harrisburg, PA 17105-3608	
		APPD 2-19-91 M.E. COWHER	NAME JACK, TWIST-ON, COMMERCIAL BNC	
		PRODUCT SPEC -	SIZE C	CAGE CODE 00779
		APPLICATION SPEC -	DRAWING NO 222428	SHEET 1 OF 1
		WEIGHT -	SCALE 4:1	

CUSTOMER DRAWING