

4

3

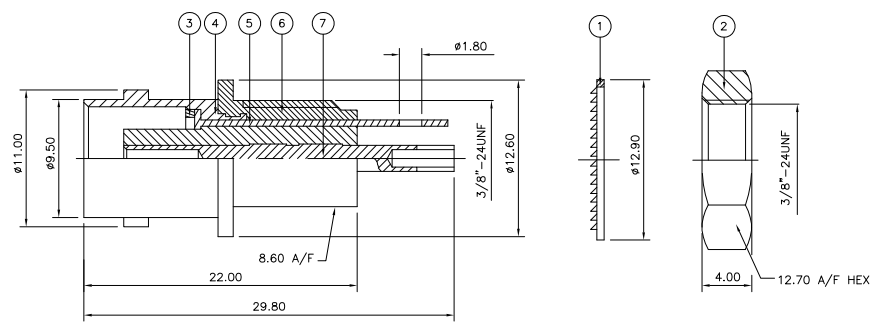
2

1

THIS DRAWING IS UNPUBLISHED. RELEASED FOR PUBLICATION NOV. 2005.  
 © COPYRIGHT 2005 BY TYCO ELECTRONICS CORPORATION. ALL RIGHTS RESERVED.

LOC	DIST	REVISIONS			
P	LTR	DESCRIPTION	DATE	DWN	APVD
C		ECR-05-016219	28NOV05	JMS	FWK

- NOTES:**
- ⚠ PACK IN ACCORDANCE WITH AMP SPEC 107-3275
  - ⚠ 100 TRAY PACK IN ACCORDANCE WITH AMP SPEC 107-3275
  - ⚠ Ag PLATING
  - ⚠ Ni PLATING
- 5 ELECTRICAL CHARACTERISTICS**
- |                               |                            |
|-------------------------------|----------------------------|
| FREQUENCY RANGE:              | DC - 4 GHz                 |
| NOMINAL IMPEDANCE:            | 50 Ohm                     |
| INSULATION RESISTANCE:        | 5000 MOhm                  |
| WORKING VOLTAGE:              | 500 Volts RMS at Sea Level |
| DIELECTRIC WITHSTAND VOLTAGE: | 1500 Volts RMS Max         |
| CONTACT RESISTANCE:           |                            |
| CENTRE CONTACT:               | 1.50 mOhm Max              |
| OUTER CONTACT:                | 0.20 mOhm Max              |
| VSWR @ xGHz:                  | N/A                        |
| INSERTION LOSS xdb:           | N/A                        |
- 6 MECHANICAL CHARACTERISTICS**
- |                               |                |
|-------------------------------|----------------|
| COUPLING RETENTION FORCE:     | N/A            |
| CABLE RETENTION FORCE:        | N/A            |
| MOUNT NUT RECOMMENDED TORQUE: | 2N             |
| DURABILITY:                   | 500 Cycles Min |
- 7 ENVIRONMENTAL CHARACTERISTICS**
- |                        |                 |
|------------------------|-----------------|
| OPERATING TEMPERATURE: | -65 to +85 DegC |
|------------------------|-----------------|



QTY	UNIT	MATERIAL	DESCRIPTION	ITEM
1	1	BRASS	CONTACT	7
1	1	ABS	BODY A	6
1	1	BRASS	WASHER	5
1	1	BRASS	BODY B	4
1	1	BRASS	WASHER	3
1	1	BRASS	HEX NUT	2
1	1	STEEL	LOCKWASHER	1
6--0	1--0	MATERIAL	DESCRIPTION	ITEM

THIS DRAWING IS A CONTROLLED DOCUMENT.		DWN J.SANDWELL 28NOV05	Tyco Electronics Corporation Bideford EX39 4HE	
DIMENSIONS: mm	TOLERANCES UNLESS OTHERWISE SPECIFIED:	CHK S.PARLOW 28NOV05	NAME: BNC INSULATED BULKHEAD SOCKET FRONT MOUNT 50 OHM	
	0 PLC ± -	APVD F.WHEELER-KING 28NOV05	PRODUCT SPEC 108-3435	
	1 PLC ± -		APPLICATION SPEC	
	2 PLC ± -		WEIGHT -	
	3 PLC ± -		SIZE CAGE CODE DRAWING NO RESTRICTED TO	
	4 PLC ± -		A3 00779 C=1337447	
	ANGLES ± -		CUSTOMER DRAWING SCALE NTS SHEET 1 OF 1 REV C	