

4

3

2

1

THIS DRAWING IS UNPUBLISHED. RELEASED FOR PUBLICATION NOV. 2005.
 © COPYRIGHT 2005 BY TYCO ELECTRONICS CORPORATION. ALL RIGHTS RESERVED.

| LOC | | DIST | | REVISIONS | | | |
|-----|-----|---------------|--|-----------|-----|------|--|
| P | LTR | DESCRIPTION | | DATE | DWN | APVD | |
| D | | ECR-06-010674 | | 03APR06 | RS | FWK | |

NOTES:

- ⚠ PACK IN ACCORDANCE WITH AMP SPEC 107-3275
- ⚠ 100 TRAY PACK IN ACCORDANCE WITH AMP SPEC 107-3275
- ⚠ Au PLATING
- ⚠ Ni PLATING

5 ELECTRICAL CHARACTERISTICS

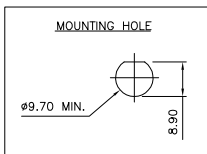
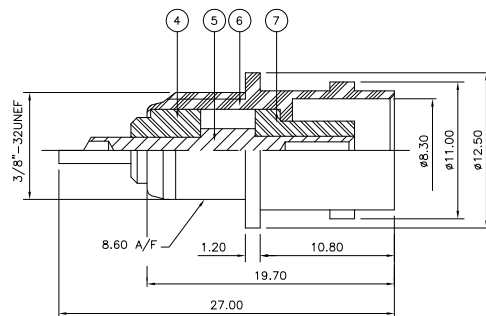
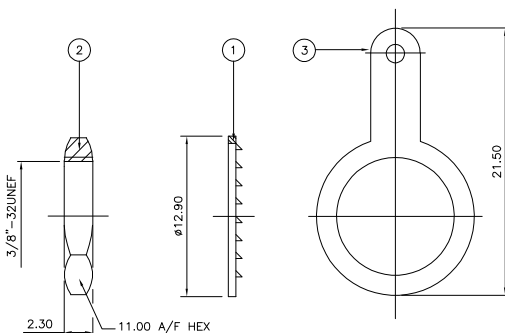
FREQUENCY RANGE: DC - 4 GHz
 NOMINAL IMPEDANCE: 50 Ohm
 INSULATION RESISTANCE: 5000 MOhm
 WORKING VOLTAGE: 500 Volts RMS at Sea Level
 DIELECTRIC WITHSTAND VOLTAGE: 1500 Volts RMS Max
 CONTACT RESISTANCE: 1.50 mOhm Max
 CENTRE CONTACT: 0.20 mOhm Max
 OUTER CONTACT: N/A
 VSWR @ xGHz: N/A
 INSERTION LOSS xdb: N/A

6 MECHANICAL CHARACTERISTICS

COUPLING RETENTION FORCE: N/A
 CABLE RETENTION FORCE: N/A
 MOUNT NUT RECOMMENDED TORQUE: 2.5N
 DURABILITY: 500 Cycles Min

7 ENVIRONMENTAL CHARACTERISTICS

OPERATING TEMPERATURE: -65 to +165 DegC



| QTY | DESCRIPTION | MATERIAL | FINISH | ITEM |
|------|-------------|----------|--------|------|
| 1 | INSULATION | PTFE | | 7 |
| 1 | BODY | BRASS | ⚠ | 6 |
| 1 | CONTACT | BRASS | ⚠ | 5 |
| 1 | INSULATION | PTFE | | 4 |
| 1 | SOLDER TAG | BRASS | ⚠ | 3 |
| 1 | HEX NUT | BRASS | ⚠ | 2 |
| 1 | LOCKWASHER | STEEL | ⚠ | 1 |
| 6--0 | MATERIAL | | | |
| 1--0 | DESCRIPTION | | | |

THIS DRAWING IS A CONTROLLED DOCUMENT.

| | | | | | |
|-------------|--|--------|---------|---------------------------------|-----------|
| DIMENSIONS: | TOLERANCES UNLESS OTHERWISE SPECIFIED: | DWN | 28NOV05 | Tyco Electronics Corporation | |
| mm | | CHK | 28NOV05 | Bideford EX39 4HE | |
| | | APVD | 28NOV05 | NAME | |
| | | | | BNC BULKHEAD SOCKET FRONT MOUNT | |
| | | | | + TAG 50 OHM | |
| MATERIAL | FINISH | WEIGHT | | SIZE | CAGE CODE |
| SEE TABLE | | | | A3 | 00779 |
| | | | | DRAWING NO | 1337448 |
| | | | | RESTRICTED TO | |
| | | | | CUSTOMER DRAWING | |
| | | | | SCALE | NTS |
| | | | | SHEET | 1 of 1 |
| | | | | REV | D |