

4

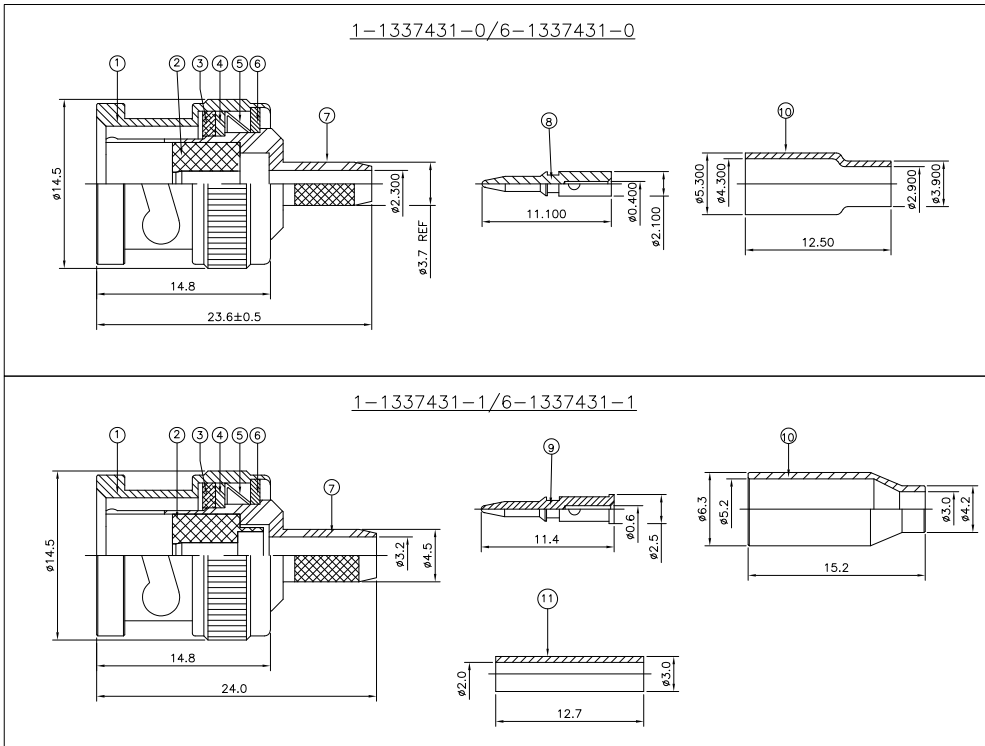
3

2

1

THIS DRAWING IS UNPUBLISHED. RELEASED FOR PUBLICATION SEPT. 2005.
 © COPYRIGHT 2005 BY TYCO ELECTRONICS CORPORATION. ALL RIGHTS RESERVED.

LOC	DIST	REVISIONS				
P	LTR	DESCRIPTION	DATE	DWN	APVD	
E	B					
D		ECO-09-017262	28JULY09	RITA	BOB	



NOTES:

- ⚠ SINGLE PACK IN ACCORDANCE WITH AMP SPEC 107-3275
- ⚠ 100 TRAY PACK IN ACCORDANCE WITH AMP SPEC 107-3275
- ⚠ FLASH Au PLATING
- ⚠ 0.76µm Au PLATING
- ⚠ Ni PLATING
- ⚠ THIS ITEM MUST BE WHITE
- 7. HAND TOOL : 9-1478240-0
- 8. DIE SET : 9-1478242-0
- 9. ELECTRICAL CHARACTERISTICS

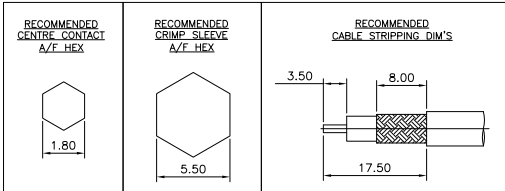
FREQUENCY RANGE:	DC - 2 GHz
NOMINAL IMPEDANCE:	75 Ohm
INSULATION RESISTANCE:	5000 MOhm
WORKING VOLTAGE:	500 Volts RMS at Sea Level
DIELECTRIC WITHSTAND VOLTAGE:	1500 Volts RMS Max
CONTACT RESISTANCE:	
CENTRE CONTACT:	1.50 mOhm Max
OUTER CONTACT:	0.20 mOhm Max
VSWR @ 4GHz:	1.20:1 Max
INSERTION LOSS dB @ x 3 GHz:	0.20 Max
- 10. MECHANICAL CHARACTERISTICS

COUPLING NUT RETENTION FORCE:	445N Min
CABLE RETENTION FORCE:	85N Min
DURABILITY:	500 Cycles Min
- 11. ENVIRONMENTAL CHARACTERISTICS

OPERATING TEMPERATURE:	-65 to +165 DegC
------------------------	------------------

QTY	DESCRIPTION	ITEM
1	PTFE	PUSHER SLEEVE 11
1	BRASS	FERRULE 10
1	BRASS	CONTACT 9
1	BRASS	CONTACT 8
1	BRASS	BODY 7
1	BRASS	WASHER 6
1	SPRING STEEL	SPRING 5
1	BRASS	WASHER 4
1	SILICON RUBBER	GASKET 3
1	PTFE	INSULATION 2
1	BRASS	SHELL 1

QTY	DESCRIPTION	ITEM
1	PTFE	PUSHER SLEEVE 11
1	BRASS	FERRULE 10
1	BRASS	CONTACT 9
1	BRASS	CONTACT 8
1	BRASS	BODY 7
1	BRASS	WASHER 6
1	SPRING STEEL	SPRING 5
1	BRASS	WASHER 4
1	SILICON RUBBER	GASKET 3
1	PTFE	INSULATION 2
1	BRASS	SHELL 1



DIMENSIONS:		TOLERANCES UNLESS OTHERWISE SPECIFIED:	
mm			
0	PLC	±	-
1	PLC	±	0.3
2	PLC	±	0.2
3	PLC	±	0.1
4	PLC	±	-
	ANGLES	±	5°

THIS DRAWING IS A CONTROLLED DOCUMENT.		DWN	J.SANDWELL	12SEPT05
		CHK	S.PARLOW	12SEPT05
		APVD	F.WHEELER-KING	12SEPT05
		PRODUCT SPEC	108-3435	
		APPLICATION SPEC	411-3247	
MATERIAL		WEIGHT	-	
FINISH		CUSTOMER DRAWING		
SEE TABLE		SEE TABLE		

AMP 1470-19 REV 31MAR2000