

4

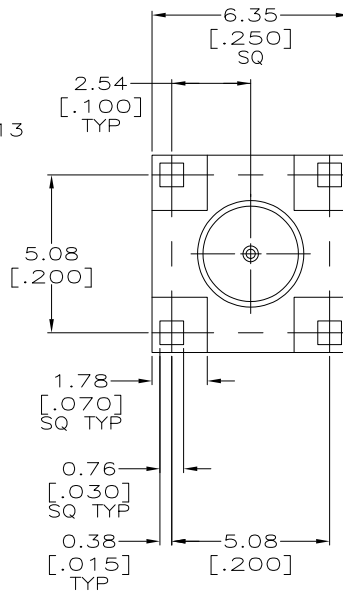
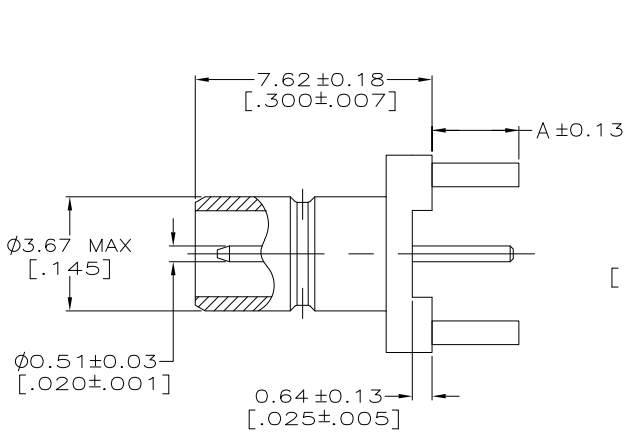
3

2

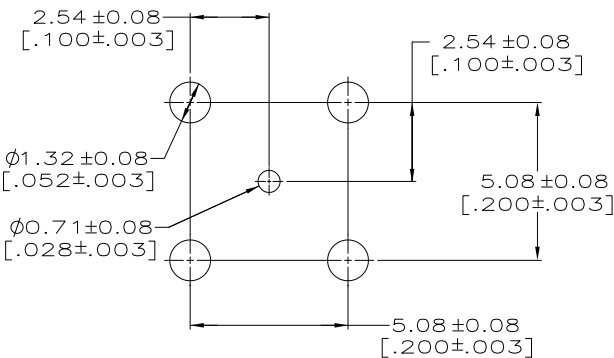
1

THIS DRAWING IS UNPUBLISHED. RELEASED FOR PUBLICATION  
 © COPYRIGHT 2005 BY TYCO ELECTRONICS CORPORATION. ALL RIGHTS RESERVED.

LOC	DIST	REVISIONS					
AJ	16	P	LTR	DESCRIPTION	DATE	DWN	APVD
		B		REVISED PER ECO 07-017702 & 0514-0457-04	07AUG2007	DW	JL



- ⚠ MATERIALS:  
BODY: BRASS PER QQ-B-626.  
CONTACT: BRASS PER QQ-B-626.  
DIELECTRIC: TEFLON PER ASTM-D-1710.
- ⚠ FINISHES:  
BODY: GOLD PER MIL-G-45204.  
CONTACT: GOLD PER MIL-G-45204.
- ⚠ FINISHES:  
BODY: GOLD FLASH PER MIL-G-45204  
OVER NICKEL PER QQ-N-290.  
CONTACT: GOLD PER MIL-G-45204.
- ⚠ SEE SEPERATE RESTRICTED CUSTOMER DRAWING WITH THIS PART NUMBER.



—	—	415504-6
3.05 [.120]	⚠	415504-4
3.05 [.120]	⚠	415504-3
2.11 [.083]	⚠	415504-2
2.11 [.083]	⚠	415504-1
A	FINISH	PART NUMBER

OBSELETE

THIS DRAWING IS A CONTROLLED DOCUMENT.		DWN	27JUN96	Tyco Electronics		Tyco Electronics Corporation Harrisburg, PA 17105-3608	
DIMENSIONS: mm [INCHES]		CHK	28JUN96	NAME		STRAIGHT JACK, PCB, 75 OHM, MINI-SMB	
TOLERANCES UNLESS OTHERWISE SPECIFIED:		APVD	28JUN96	PRODUCT SPEC		—	
0 PLC	± -	APPLICATION SPEC		SIZE		CAGE CODE	DRAWING NO
1 PLC	± -	—		A3		00779	415504
2 PLC	± 0.05 [.002]	—		WEIGHT		—	
3 PLC	± -	—		CUSTOMER DRAWING		SCALE	8:1
4 PLC	± -	—		RESTRICTED TO		—	
ANGLES	± -	—		SHEET		1 of 1	
MATERIAL	FINISH	—		REV		B	

RECOMMENDED PCB CONFIGURATION