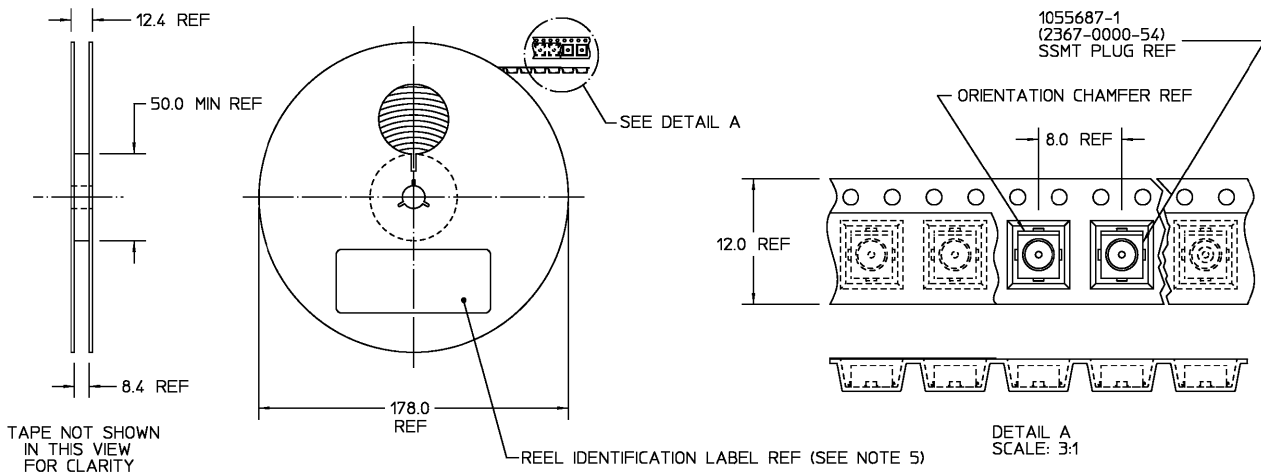


REVISIONS			
REV	DESCRIPTION	DATE	APPROVED
01 ₃	REVISED	10/19/95	DPG



- NOTES
1. TAPE, REEL, AND TAPING SHALL MEET THE REQUIREMENTS OF EIA-481-1.
 2. EMBOSSED TAPE SHALL BE CONDUCTIVE TYPE.
 3. FOR PART ORIENTATION IN TAPE SEE DETAIL A.
 4. REEL SHALL CONTAIN 800 PIECES P/N 1403852-1 (2302-98-01).
 5. REEL IDENTIFICATION LABEL SHALL BE PRINTED WITH REEL P/N 1055688-1 (2367-5001-54), CONNECTOR P/N 1055687-1 (2367-0000-54), MANUFACTURER (TYCO) QTY, AND TAPING DATE AS A MINIMUM.

UNLESS OTHERWISE SPECIFIED DIMENSIONS ARE IN MILLIMETERS. ALL ANGLES ARE DEGREES. FRAC. DEC. ANGLES - - -	DESIGNED BY PRESNICK 12 MAY 92	AMP Incorporated 140 Fourth Avenue Waltham, MA 02451-7599	
	APP'D BY	AMP	
These drawings and specifications are the property of N/A CDH Incorporated and shall not be reproduced or copied or used in whole or in part as the basis for the manufacture or sale of items without written permission.	TITLE TAPE AND REEL PACKAGING, SSMT PLUG, 178MM REEL (800 PARTS PER REEL)		
	USED ON	SIZE B	CODE IDENT. NO. 26805
GROUP CODE	SCALE 1:2	PLATING AREA	REV 01 ₃
			SHEET 1 OF 1

CUSTOMER DRAWING

AMP PART # 1055688-1
SHEET 1 OF 1 REV B