

4

3

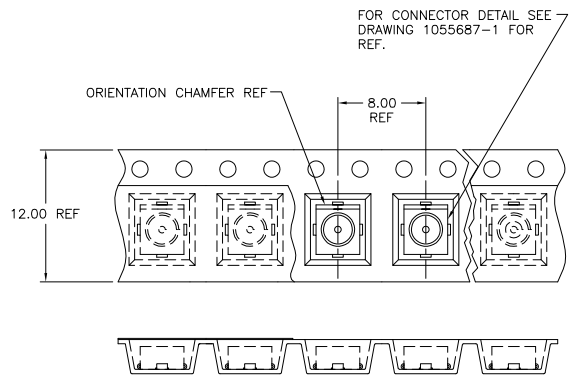
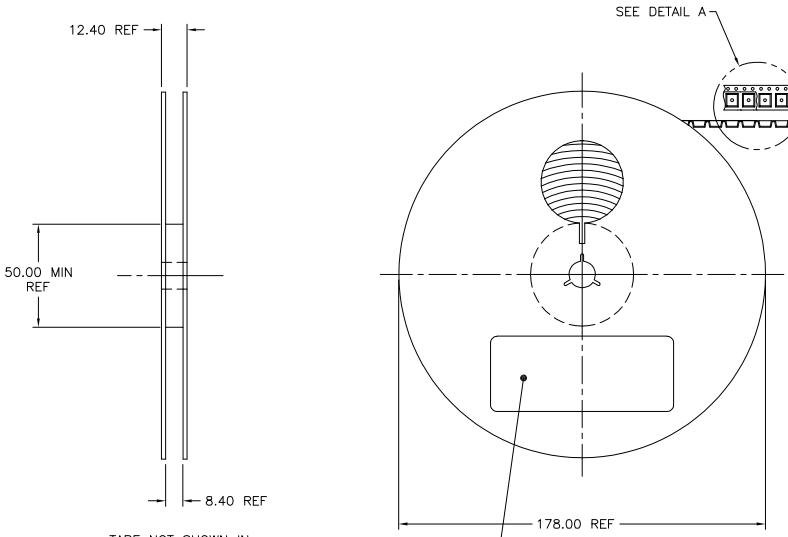
2

1

THIS DRAWING IS UNPUBLISHED. RELEASED FOR PUBLICATION
 © COPYRIGHT BY TYCO ELECTRONICS CORPORATION. ALL RIGHTS RESERVED.

LOC	DIST	REVISIONS			
F	LTR	DESCRIPTION	DATE	BY	APP'D
AJ	17				
		C	REVISED PER EC 0514-0016-05	27JAN05	BM KW

1. TAPE, REEL, AND TAPING SHALL MEET THE REQUIREMENTS OF EIA-481-1.
 2. EMBOSSED TAPE SHALL BE CONDUCTIVE TYPE.
 3. FOR PART ORIENTATION IN TAPE SEE DETAIL A.
 4. REEL SHALL CONTAIN 800 PIECES.
- △ REEL IDENTIFICATION LABEL SHALL BE PRINTED WITH REEL P/N, CONNECTOR P/N, MANUFACTURER, QTY, AND TAPING DATE AS A MINIMUM.



DETAIL A
SCALE 4:1

△ REEL IDENTIFICATION LABEL REF

TAPE NOT SHOWN IN THIS VIEW FOR CLARITY

1055688-1
PART NUMBER

THIS DRAWING IS A CONTROLLED DOCUMENT.		DRN P. RESNICK 12MAY92	Tyco Electronics Corporation Harrisburg, Pa 17105-3608	
DIMENSIONS: mm(INCHES)	TOLERANCES UNLESS OTHERWISE SPECIFIED	APPC	NAME	RESTRICTED TO
0 PLG ± .01	1 PLG ± .01	PRODUCT SPEC	TAPE AND REEL PACKAGING, SSMT PLUG, 178mm REEL (800 PARTS PER REEL)	—
2 PLG ± .01	3 PLG ± .01	APPLICATION SPEC	SIZE	—
4 PLG ± .01	ANGLES ± .01	WEIGHT	A2 00779 ©=1055688	—
MATERIAL	FINISH	CUSTOMER DRAWING	SCALE 3/4:1	SHEET 1 OF 2 REV C

4

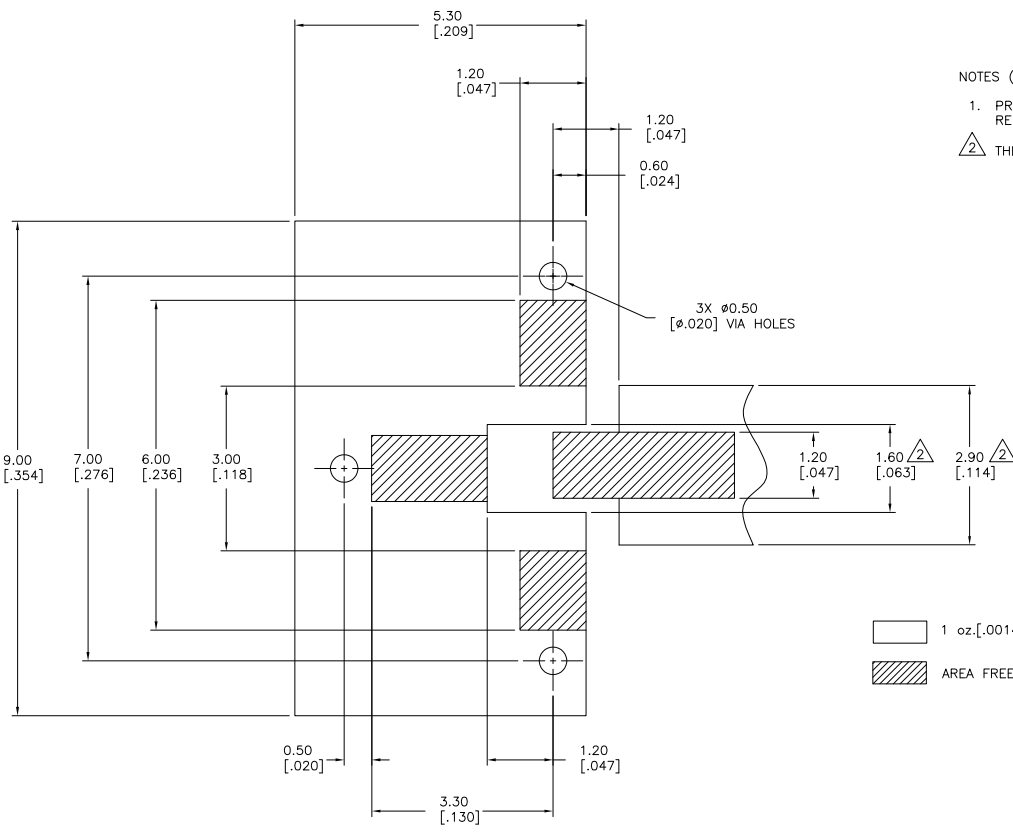
3

2

1

THIS DRAWING IS UNPUBLISHED. RELEASED FOR PUBLICATION. BY TYCO ELECTRONICS CORPORATION. ALL RIGHTS RESERVED.

LOC	DIST	REVISIONS		
F	LTR	DESCRIPTION	DATE	BY
AJ	17	SEE SHEET 1		



NOTES (FOR PCB LAYOUT ONLY):

1. PRINTED WIRING BOARD MATERIAL: GLASS EPOXY, FR-4 OR SIMILAR, RELATIVE PERMITTIVITY: 4.8oz. COPPER CLAD BOTH SIDES.
2. THESE DIMENSIONS VALID FOR 1.60[.062] BOARD THICKNESS.

1 oz.[.0014] COPPER

AREA FREE OF SOLDER MASK

RECOMMENDED MOUNTING PATTERN FOR MICROSTRIP LINE

THIS DRAWING IS A CONTROLLED DOCUMENT.		DRW P. RESNICK 12MAY92	Tyco Electronics Corporation Harrisburg, Pa 17105-3608	
DIMENSIONS: mm(INCHES)		CHK	NAME	
TOLERANCES UNLESS OTHERWISE SPECIFIED:		APPC	PRODUCT SPEC	
0 PLG ± - 1 PLG ± - 2 PLG ± - 3 PLG ± - 4 PLG ± - ANGLES ± - FINISH -		APPLICATION SPEC	SIZE CASE CODE DRAWING NO	
MATERIAL -		WEIGHT -	A2 00779 C=1055688	
		CUSTOMER DRAWING	SCALE 20:1	SHEET 2 OF 2 REV C

AMP 1471-9 REV 31MMR2000

1055688