

4

3

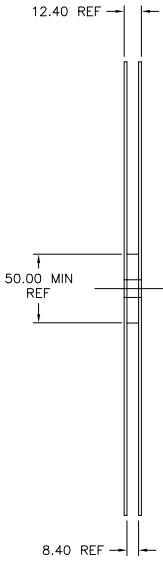
2

1

THIS DRAWING IS UNPUBLISHED. RELEASED FOR PUBLICATION
 © COPYRIGHT BY TYCO ELECTRONICS CORPORATION. ALL RIGHTS RESERVED.

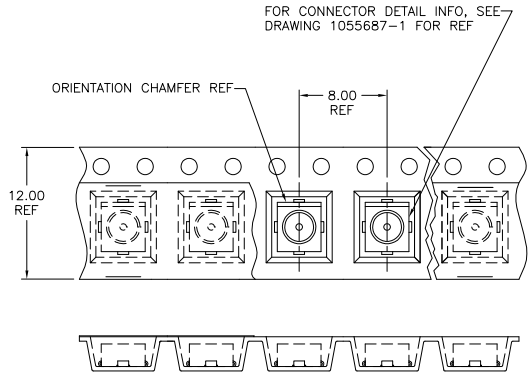
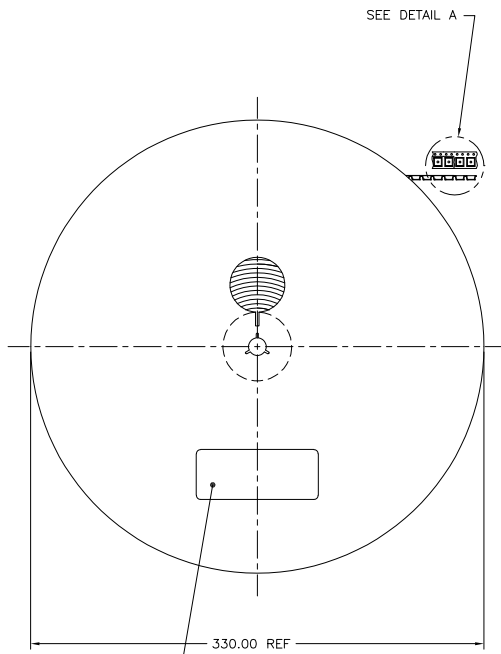
LOC	DIST	REVISIONS			
F	LTR	DESCRIPTION	DATE	BY	APP'D
AJ	17				
		C	REVISED PER EC 0514-0016-05	27JAN05	BM KW

1. TAPE, REEL, AND TAPING SHALL MEET THE REQUIREMENTS OF EIA-481-1.
 2. EMBOSSED TAPE SHALL BE CONDUCTIVE TYPE.
 3. FOR PART ORIENTATION IN TAPE SEE DETAIL A.
 4. REEL SHALL CONTAIN 3000 PIECES.
- △ REEL IDENTIFICATION LABEL SHALL BE PRINTED WITH REEL P/N, MANUFACTURER, QTY, AND TAPING DATE AS A MINIMUM.



TAPE NOT SHOWN IN THIS VIEW FOR CLARITY.

△ REEL IDENTIFICATION LABEL REF



DETAIL A
SCALE 4:1

1055689-1
PART NUMBER

THIS DRAWING IS A CONTROLLED DOCUMENT.		DRN P. RESNICK 12MAY92	Tyco Electronics Corporation Harrisburg, Pa 17105-3608	
DIMENSIONS: mm(INCHES)		CHK	NAME	
TOLERANCES UNLESS OTHERWISE SPECIFIED:		APPC	PRODUCT SPEC	
0 P.L.C.	± .-		APPLICATION SPEC	
1 P.L.C.	± .-		WEIGHT	
2 P.L.C.	± .-		FINISH	
3 P.L.C.	± .-		SIZE	
4 P.L.C.	± .-		CAGE CODE	
ANGLES	± .-		DRAWING NO.	
			A2 00779 C=1055689	
MATERIAL			RESTRICTED TO	
			CUSTOMER DRAWING	
			SCALE 1/2:1 SHEET 1 OF 2 REV C	

1055689

A

4

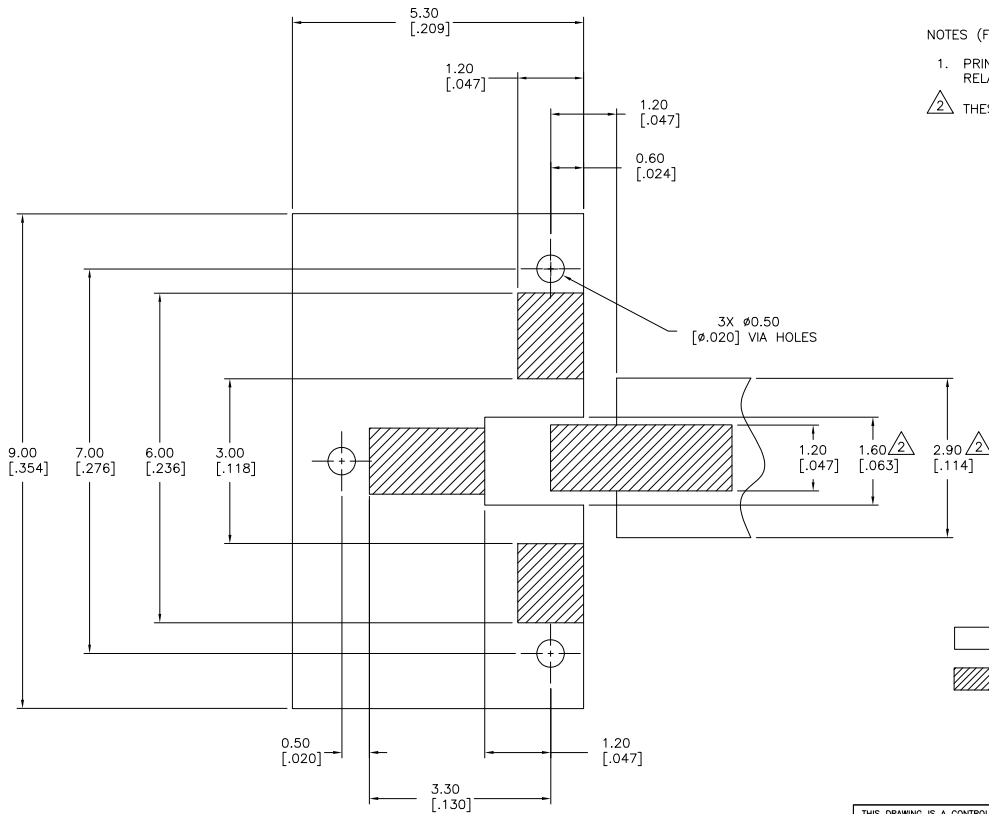
3

2

1

THIS DRAWING IS UNPUBLISHED. RELEASED FOR PUBLICATION
 BY TYCO ELECTRONICS CORPORATION. ALL RIGHTS RESERVED.

LOC	DIST	REVISIONS		
F	LTR	DESCRIPTION	DATE	BY
AJ	17	SEE SHEET 1	-	-



NOTES (FOR PCB LAYOUT ONLY):
 1. PRINTED WIRING BOARD MATERIAL: GLASS EPOXY, FR-4 OR SIMILAR, RELATIVE PERMITTIVITY: 4.8oz. COPPER CLAD BOTH SIDES.
 2. THESE DIMENSIONS VALID FOR 1.60[.062] BOARD THICKNESS.

RECOMMENDED MOUNTING PATTERN FOR MICROSTRIP LINE

THIS DRAWING IS A CONTROLLED DOCUMENT.		DRN P. RESNICK 12MAV92	Tyco Electronics Corporation Harrisburg, Pa 17105-3608	
DIMENSIONS: mm(INCHES)		APPC	NAME: TAPE AND REEL PACKAGING, SSMT PLUG, 330mm REEL (3000 PARTS PER REEL)	
TOLERANCES UNLESS OTHERWISE SPECIFIED:		PRODUCT SPEC	SIZE: A2	
0 PLG ± .01		APPLICATION SPEC	CAGE CODE: 00779	
1 PLG ± .01		WEIGHT	DRAWING NO: 1055689	
2 PLG ± .01		FINISH	RESTRICTED TO: -	
3 PLG ± .01			SCALE: 20:1	
4 PLG ± .01			SHEET: 2 OF 2	
ANGLES ± .5			REV: C	
MATERIAL: -		CUSTOMER DRAWING		

AMP 1471-9 REV 31MM2000

1055689