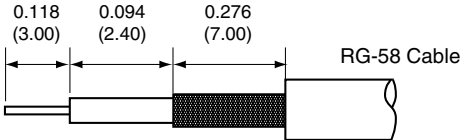
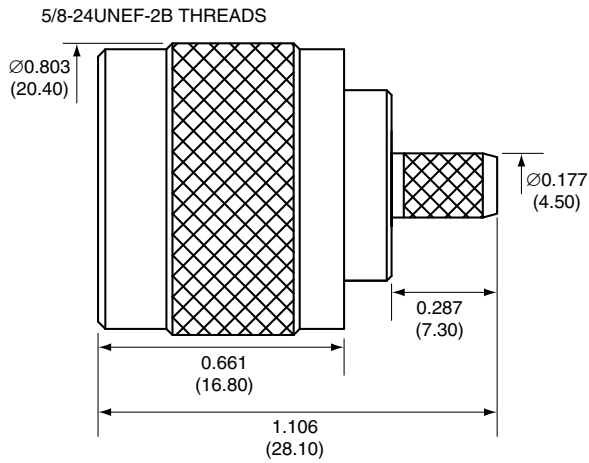


1		
Description	Material	Finish
Body	Brass	Nickel
Pin	Brass	Gold
Crimp Ring	Brass	Nickel
Insulation	Teflon	N/A

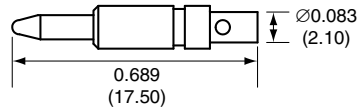
RECOMMENDED CABLE STRIPPING DIMENSIONS



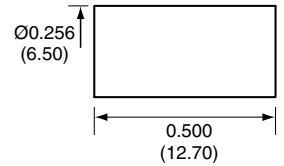
SIDE VIEW



PIN



CRIMP RING



CONN007-R58 ASSEMBLY INSTRUCTIONS

1. Solder the socket to the center conductor.
2. Insert the socket, center conductor, and insulator into the body.
3. Wrap the braid around the tail of the body and crimp the ring with a hex crimp tool labeled for use with RG-58 cable.

Title		CONN007-R58		Revision: 1.0	
Part No.		CONN007-R58		Revision: 1.0	
Dimensions:		INCHES (mm)		Date: 2/20/2008	
				Sheet 1 of 1	

CONNECTOR CITY
159 ORT LANE
MERLIN, OR 97532
PH (541)-471-6256
FAX (541)-471-6251

CONNECTOR CITY
THE VALUE OF CONNECTIONS