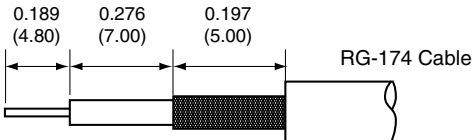
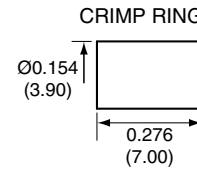
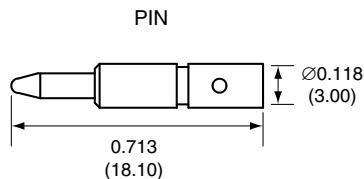
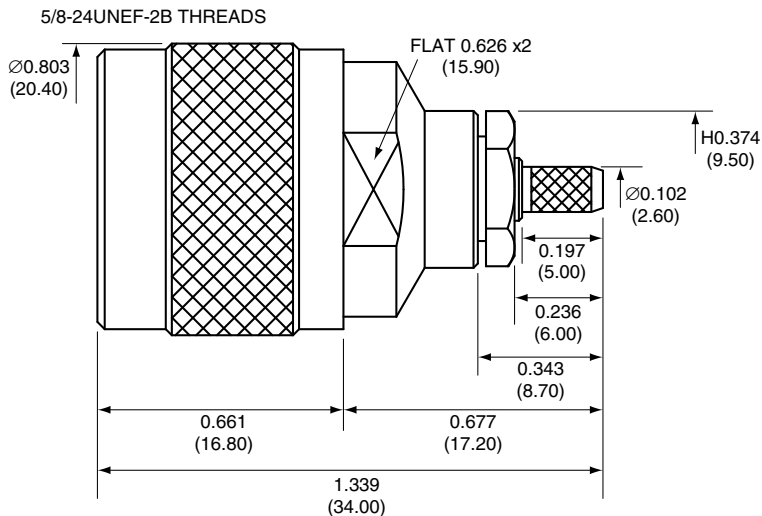


1		
Description	Material	Finish
Body	Brass	Nickel
Pin	Brass	Gold
Crimp Ring	Brass	Nickel
Insulation	Teflon	N/A

RECOMMENDED CABLE STRIPPING DIMENSIONS



SIDE VIEW



CONN007 ASSEMBLY INSTRUCTIONS

1. Solder the socket to the center conductor.
2. Insert the socket, center conductor, and insulator into the body.
3. Wrap the braid around the tail of the body and crimp the ring with a 0.137" hex crimp tool (or one labeled for use with RG-174 cable)

Title		N MALE CABLE END CRIMP FOR RG174 CABLE		CONNECTOR CITY 159 ORT LANE MERLIN, OR 97532	
Part No.	CONN007	Revision:	1.0	PH (541)-471-6256	FAX (541)-471-6251
Dimensions:	INCHES (mm)	Date:	2/18/2008	Sheet 1 of 1	

