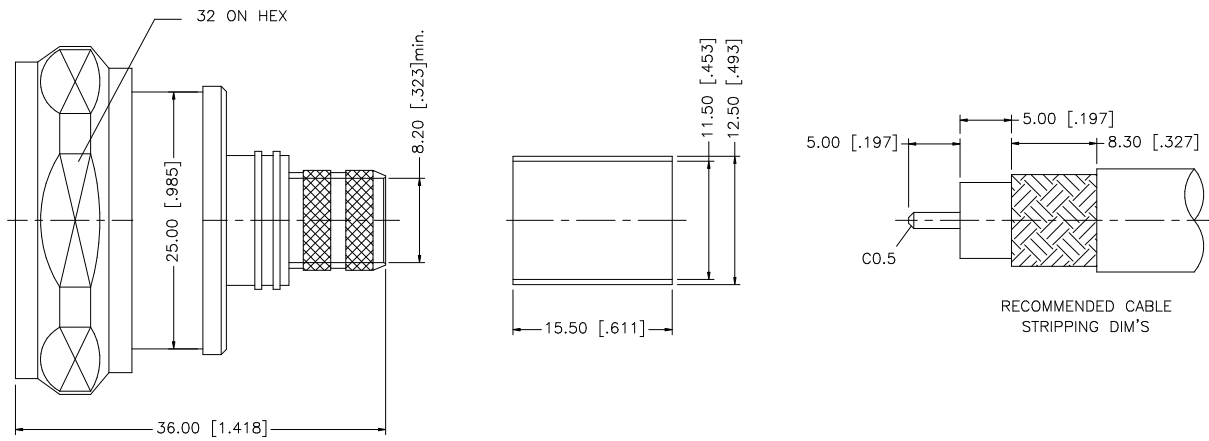


REV.	DATE	DESCRIPTION
A	12/29/00	REVISE PLATING TO SILVER
B	06/01/04	UPDATE DRAWING FORMAT
C	04/19/06	REVISE PLATING TO NEXCOTE
D	12/17/06	REVISE BODY STYLE TO HEX



NOTES:
1. CRIMPED FERRULE HEX CRIMP SIZE .429"

DESCRIPTION	MATERIAL	FINISH	QTY	UNLESS OTHERWISE SPECIFIED DIMENSIONS ARE IN MILLIMETERS; DIMENSIONS IN [] ARE IN INCHES AND FOR CUSTOMER REFERENCE ONLY.	APPROVALS	DATE	<h1 style="color: blue; margin: 0;">Amphenol Connex</h1>							
8					DRAWN	G.R.S.		12/17/06						
7					CHECKED									
6					ISSUED									
5	FERRULE	COPPER	NEXCOTE	1	SHEET	1 OF 1								
4	GASKET	SILICONE	RED	1	PART DESCRIPTION									
3	CONTACT PIN	BRASS	SILVER	1	7/16 STRAIGHT PLUG (FOR LMR400, BELDEN 9913 CABLE)									
2	INSULATOR	TEFLON	NATURAL	1	PART NO.									
1	BODY	BRASS	NEXCOTE	1	272107									
				UNLESS OTHERWISE SPECIFIED TOLERANCES FOR MILLIMETERS ARE: 0.5 - 8mm ± 0.20mm 8 - 30mm ± 0.40mm 30 - 120mm ± 0.50mm UNLESS OTHERWISE SPECIFIED TOLERANCES FOR INCHES ARE: .020 - .315 = ± 0.007" .315 - 1.180 = ± 0.015" 1.180 - 4.724 = ± 0.020"	CAD FILE	C:/272/272107.DWG	DWG. NO.	272107.DWG	REV.	D	SIZE	A	SCALE	NA
				DO NOT SCALE DRAWING										