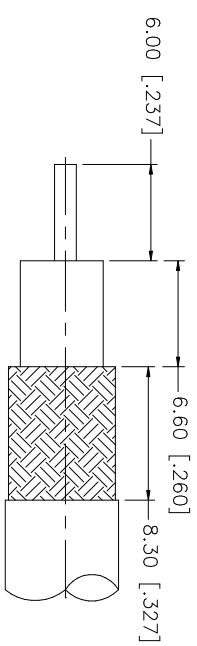
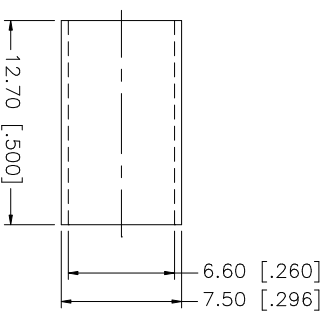
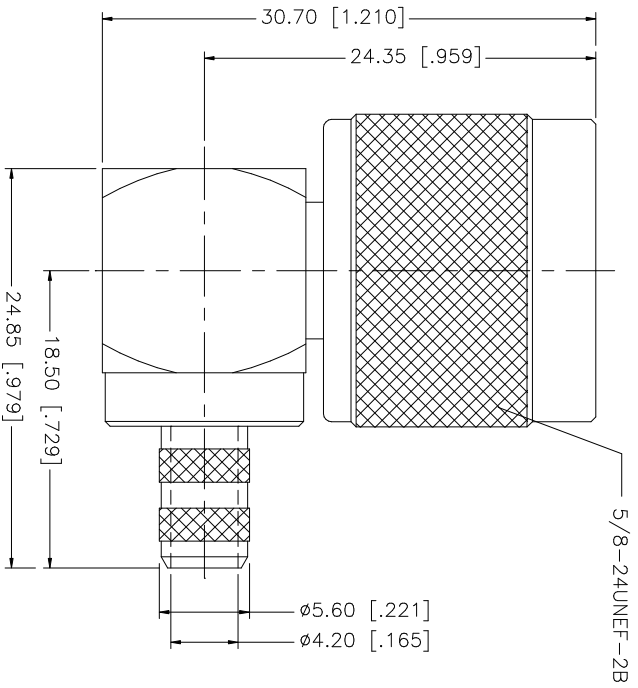


REV.	DATE	DESCRIPTION
A	07/16/03	INITIAL RELEASE



RECOMMENDED
CABLE STRIPPING DIE'S

- NOTES:
1. CRIMPED FERRULE
HEX CRIMP SIZE .255"
 2. CONTACT PIN TO SOLDER

QTY	FINISH	MATERIAL	DESCRIPTION
1	NEXCOTE	COPPER	FERRULE
1	NEXCOTE	BRASS	NUT
1	GOLD	BRASS	CONTACT PIN
1	NATURAL	TEFLON	INSULATOR
1	NEXCOTE	BRASS	BODY

APPROVALS	DATE
DRAWN G.R.S.	07/16/03
CHECKED	
ISSUED	
SHEET 1 OF 1	

PART DESCRIPTION	PART NO.
N R/A CRIMP PLUG (FOR LMR 240, 8X CABLE)	172219

UNLESS OTHERWISE SPECIFIED DIMENSIONS ARE IN MILLIMETERS. DIMENSIONS IN [] ARE IN INCHES AND FOR CUSTOMER REFERENCE ONLY. TOLERANCES FOR MILLIMETERS ARE:	UNLESS OTHERWISE SPECIFIED DIMENSIONS ARE IN MILLIMETERS. DIMENSIONS IN [] ARE IN INCHES AND FOR CUSTOMER REFERENCE ONLY. TOLERANCES FOR INCHES ARE:
0.5 - 8mm ± 0.20mm	.020 - .315 ± 0.007"
8 - 30mm ± 0.40mm	.315 - 1.180 ± 0.015"
30 - 120mm ± 0.50mm	1.180 - 4.724 ± 0.020"

DO NOT SCALE DRAWING	CAD FILE	DWG. NO.	REV.	NC	SIZE	SCALE
	C:/172/172219.DWG	172219.DWG			A	NA

Amphenol Connex