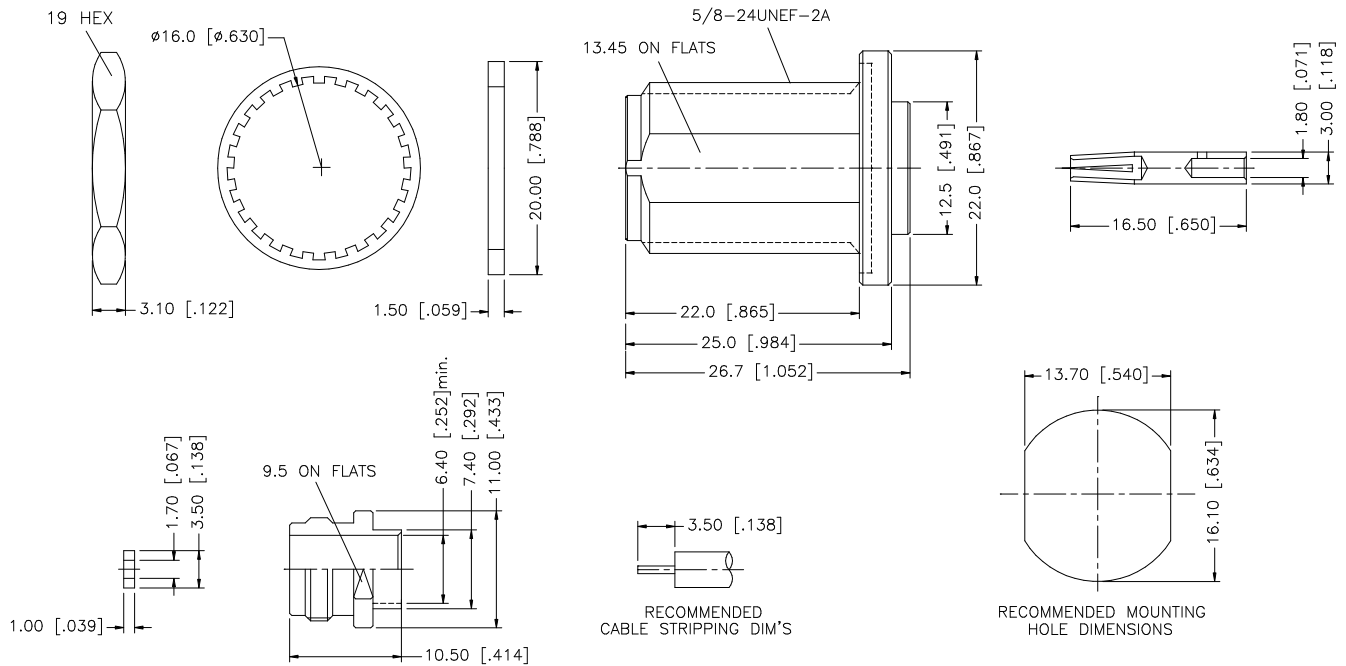


REV.	DATE	DESCRIPTION
NC	10/07/96	INITIAL RELEASE
A	06/12/06	REVISE BODY PLATING TO NEXCOTE/ UPDATE DRAWING FORMAT



QTY	DESCRIPTION	MATERIAL	FINISH		APPROVALS	DATE	<p style="text-align: center; color: blue; font-weight: bold; font-size: 1.2em;">Amphenol Connex</p> <p style="text-align: center;">N BULKHEAD DIRECT SOLDER JACK (FOR .250" SEMI RIGID CABLE)</p>			
8	SOLDER NUT	BRASS	GOLD	1	DRAWN	G.R.S.		<p style="text-align: center;">172153</p>		
7	INSULATOR	TEFLON	NATURAL	1	CHECKED					
6	HEX NUT	BRASS	GOLD	1	ISSUED					
5	LOCK WASHER	BRASS	GOLD	1	SHEET	1 OF 1				
4	GASKET	SILICONE	RED	1	CAD FILE	C:/172/172153.DWG				
3	CONTACT PIN	BER. COPPER	GOLD	1	DWG. NO.	172153.DWG				
2	INSULATOR	TEFLON	NATURAL	1	REV.	A	SIZE	A	SCALE	NA
1	BODY	BRASS	NEXCOTE	1						

UNLESS OTHERWISE SPECIFIED DIMENSIONS ARE IN MILLIMETERS. DIMENSIONS IN [] ARE IN INCHES AND FOR CUSTOMER REFERENCE ONLY.

UNLESS OTHERWISE SPECIFIED TOLERANCES FOR MILLIMETERS ARE:
0.5 - 8mm ± 0.20mm
8 - 30mm ± 0.40mm
30 - 120mm ± 0.50mm

UNLESS OTHERWISE SPECIFIED TOLERANCES FOR INCHES ARE:
.020 - .315 = ± 0.007"
.315 - 1.180 = ± 0.015"
1.180 - 4.724 = ± 0.020"

DO NOT SCALE DRAWING