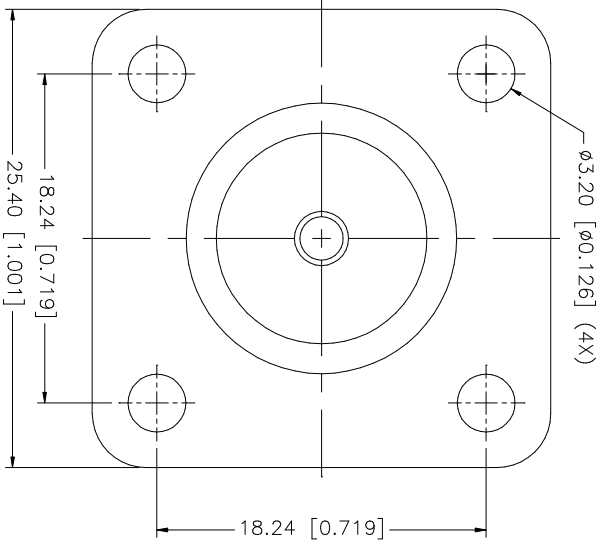
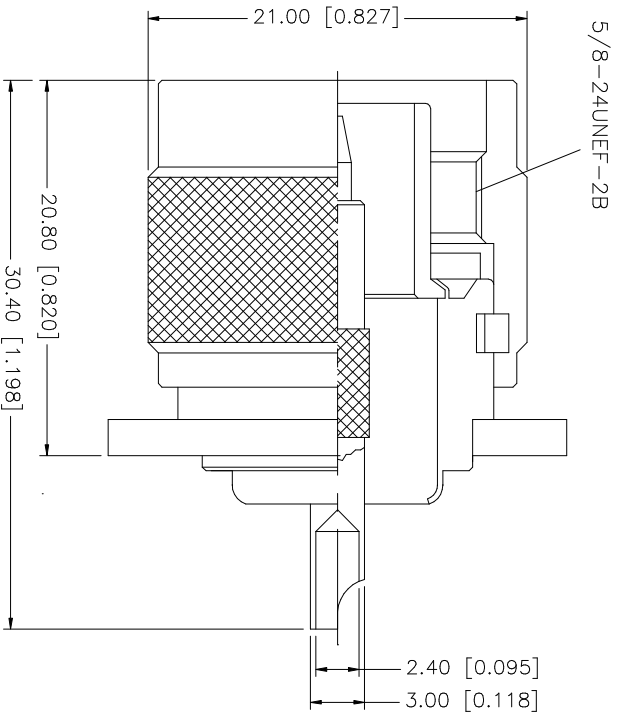


REV.	DATE	DESCRIPTION
NC	09/08/95	INITIAL RELEASE
A	05/01/06	UPDATE DRAWING FORMAT



QTY	FINISH	MATERIAL	DESCRIPTION
1	NATURAL	TEFLON	INSULATOR
1	NEXCOTE	BRASS	BODY
1	GOLD	BRASS	CONTACT PIN

UNLESS OTHERWISE SPECIFIED DIMENSIONS ARE IN MILLIMETERS (CONVERSION FROM INCHES AND FOR CUSTOMER REFERENCE ONLY).	UNLESS OTHERWISE SPECIFIED DIMENSIONS FOR MILLIMETERS ARE:	UNLESS OTHERWISE SPECIFIED DIMENSIONS FOR INCHES ARE:
0.5 - 8mm ± 0.20mm	0.5 - 8mm ± 0.20mm	0.20 - .315 = ± 0.007"
8 - 30mm ± 0.40mm	8 - 30mm ± 0.40mm	.315 - 1.180 = ± 0.015"
30 - 120mm ± 0.50mm	30 - 120mm ± 0.50mm	1.180 - 4.724 = ± 0.020"

APPROVALS	DATE
DRAWN G.R.S.	05/01/06
CHECKED	
ISSUED	
SHEET 1 OF 1	

PART NO.	DWG. NO.	REV.	SIZE	SCALE
172118	172118.DWG	A	A	NA

PART DESCRIPTION
N PANEL RECEPTACLE PLUG

**Amphenol Connex**