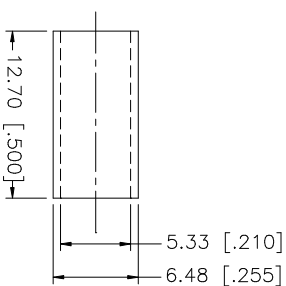
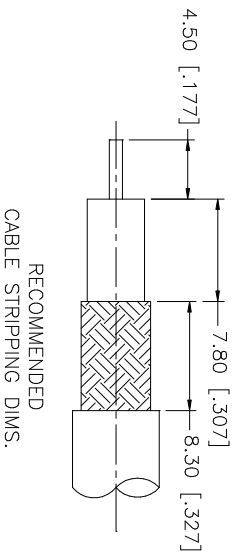
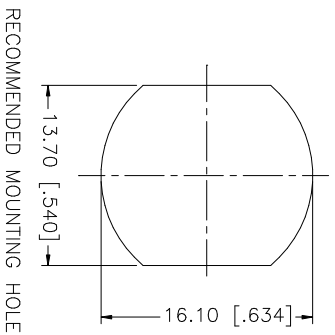
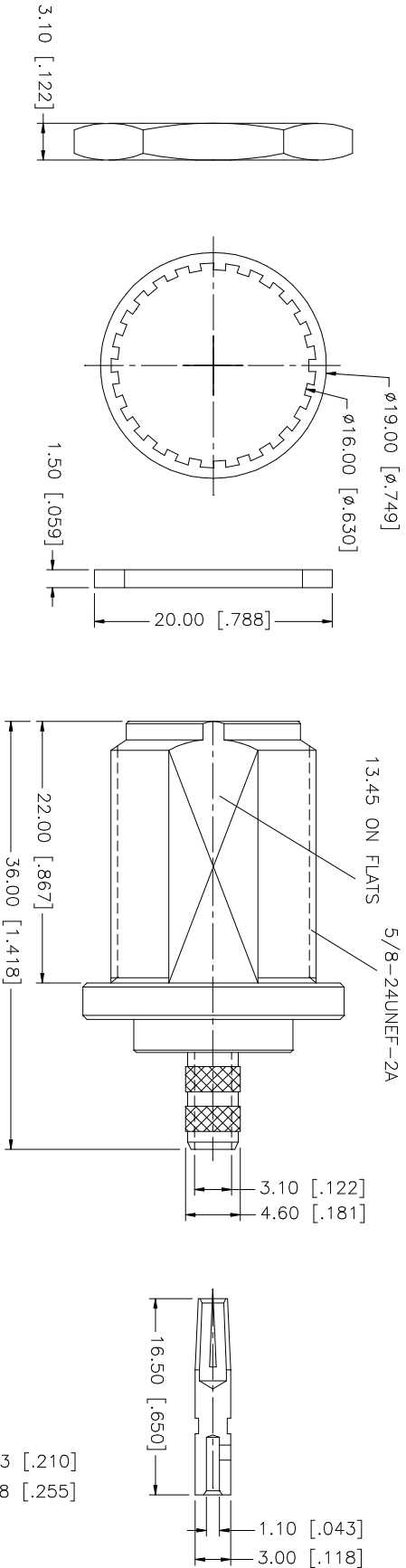


REV.	DATE	DESCRIPTION
A	11/13/03	UPDATE DRAWING FORMAT
B	01/24/05	UPDATE PART DESCRIPTION
C	07/07/05	MODIFY CABLE DESCRIPTION RG-58



NOTE:

1. CRIMPED FERRULE
HEX CRIMP SIZE :.213"
2. CRIMPED CONTACT PIN
HEX CRIMP SIZE :.100"

DESCRIPTION	MATERIAL	FINISH	QTY	DO NOT SCALE DRAWING	CAD FILE	APPROVALS	DATE	DWG. NO.	REV.	SIZE	SCALE	
8 FERRULE	COPPER	NEXCOTE	1	UNLESS OTHERWISE SPECIFIED DIMENSIONS ARE IN MILLIMETERS DIMENSIONS IN [] ARE IN INCHES AND FOR CUSTOMER REFERENCE ONLY.	C:/172/172106.DWG	G.R.S.	07/07/05	172106.DWG	C	A	NA	
7 GASKET	SILICONE	RED	1	UNLESS OTHERWISE SPECIFIED DIMENSIONS ARE IN MILLIMETERS DIMENSIONS IN [] ARE IN INCHES AND FOR CUSTOMER REFERENCE ONLY.								
6 HEX NUT	BRASS	NEXCOTE	1	UNLESS OTHERWISE SPECIFIED DIMENSIONS ARE IN MILLIMETERS DIMENSIONS IN [] ARE IN INCHES AND FOR CUSTOMER REFERENCE ONLY.								
5 LOCK WASHER	BRASS	NEXCOTE	1	UNLESS OTHERWISE SPECIFIED DIMENSIONS ARE IN MILLIMETERS DIMENSIONS IN [] ARE IN INCHES AND FOR CUSTOMER REFERENCE ONLY.								
3 CONTACT PIN	PHOS. BRONZE	GOLD	1	UNLESS OTHERWISE SPECIFIED DIMENSIONS ARE IN MILLIMETERS DIMENSIONS IN [] ARE IN INCHES AND FOR CUSTOMER REFERENCE ONLY.								
2 INSULATOR	TEFLON	NATURAL	1	UNLESS OTHERWISE SPECIFIED DIMENSIONS ARE IN MILLIMETERS DIMENSIONS IN [] ARE IN INCHES AND FOR CUSTOMER REFERENCE ONLY.								
1 BODY	BRASS	NEXCOTE	1	UNLESS OTHERWISE SPECIFIED DIMENSIONS ARE IN MILLIMETERS DIMENSIONS IN [] ARE IN INCHES AND FOR CUSTOMER REFERENCE ONLY.								
PART DESCRIPTION					N BULKHEAD CRIMP JACK (FOR RG-58 CABLE)		PART NO.		172106			
DRAWN					G.R.S.		DATE		07/07/05			
CHECKED							DATE					
ISSUED							DATE					
SHEET					1 OF 1		DATE					

Amphenol **Comnex**

N BULKHEAD CRIMP JACK
(FOR RG-58 CABLE)

172106