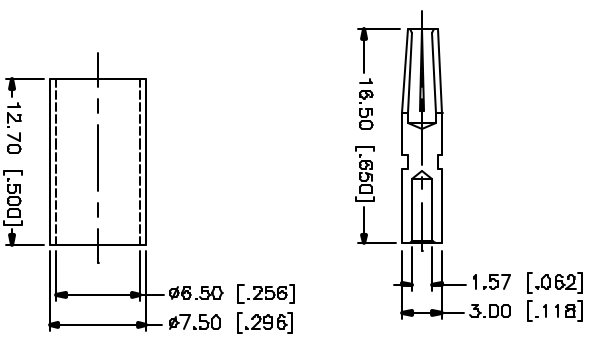
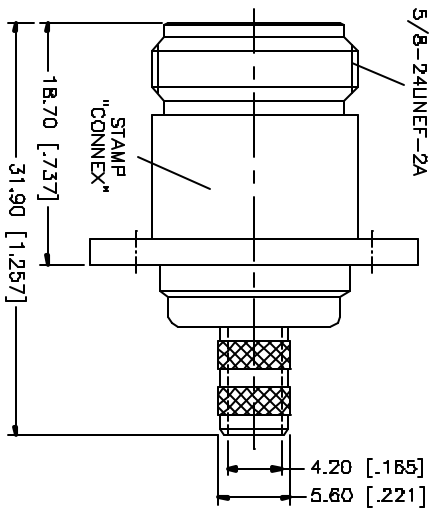
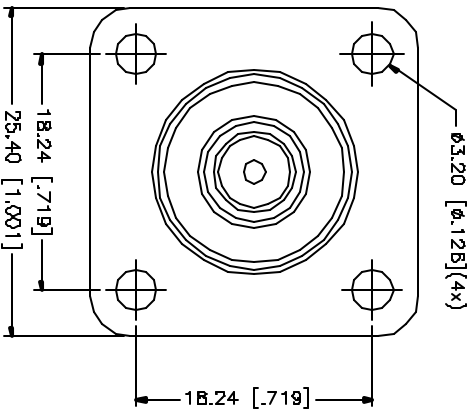
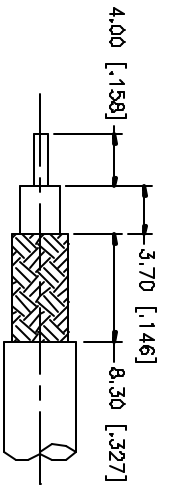


REV.	DATE
A	11/22/04

DESCRIPTION  
INITIAL RELEASE



- NOTE:
1. CRIMPED FERRULE  
HEX CRIMP SIZE .255"
  2. CRIMPED CONTACT PIN  
HEX CRIMP SIZE .100"

REV.	DATE	DESCRIPTION
8		
7		
6		
5		
4		
3		
2		
1		

DESCRIPTION	MATERIAL	FINISH	QTY
FERRULE	COPPER	NEXXOTE	1
CONTACT PIN	PHOS. BRONZE	GOLD	1
INSULATOR	TEFLON	NATURAL	1
BODY	BRASS	NEXXOTE	1

UNLESS OTHERWISE SPECIFIED DIMENSIONS ARE IN INCHES AND FOR OTHERWISE SPECIFIED UNITS.

UNLESS OTHERWISE SPECIFIED TOLERANCES FOR DIMENSIONS ARE:

0.6 - 8mm ± 0.20mm  
8 - 50mm ± 0.40mm  
50 - 120mm ± 0.50mm

UNLESS OTHERWISE SPECIFIED TOLERANCES FOR HOLE SIZE ARE:

.020 - .315 ± 0.007"  
.315 - 1.180 ± 0.015"  
1.180 - 4.724 ± 0.020"

DO NOT SCALE DRAWING

APPROVALS	DATE
DESIGN G.R.S.	11/22/04
CHECKED	
ISSUED	
SHEET 1 OF 1	

CAD FILE C:/172/172319.DWG

DWG. NO.	REV.	SIZE	SCALE
172319.DWG	A	A	NA

**Amphenol Connex**

N PANEL CRIMP JACK  
(FOR BX, LMR240 CABLE)

PART NO. 172319