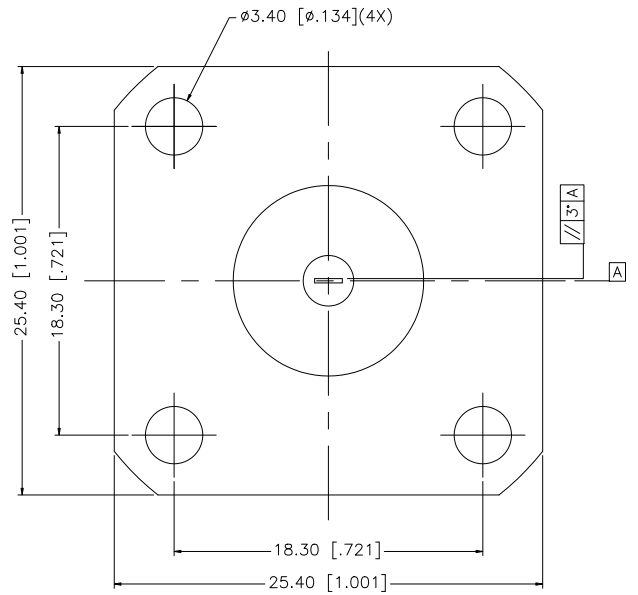
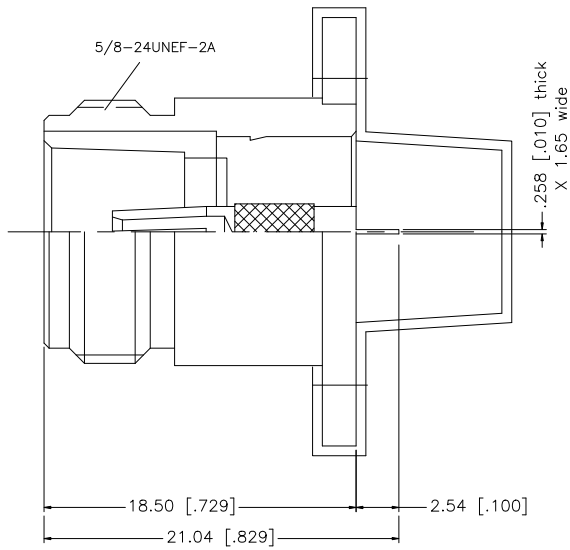


REV.	DATE	DESCRIPTION
A	02/21/00	REVISE BODY PLATING
B	06/01/04	UPDATE DRAWING FORMAT
C	12/17/07	REVISE BODY LENGTH AND MOUNTING HOLES



REV.	DESCRIPTION	MATERIAL	FINISH	QTY	UNLESS OTHERWISE SPECIFIED DIMENSIONS ARE IN MILLIMETERS; DIMENSIONS IN [ ] ARE IN INCHES AND FOR CUSTOMER REFERENCE ONLY.	APPROVALS	DATE	<b>Amphenol Connex</b>	
8					UNLESS OTHERWISE SPECIFIED TOLERANCES FOR MILLIMETERS ARE: 0.5 - 8mm ± 0.20mm 8 - 30mm ± 0.40mm 30 - 120mm ± 0.50mm  UNLESS OTHERWISE SPECIFIED TOLERANCES FOR INCHES ARE: .020 - .315 = ± 0.007" .315 - 1.180 = ± 0.015" 1.180 - 4.724 = ± 0.020"  DO NOT SCALE DRAWING	DRAWN	G.R.S.		12/17/07
7						CHECKED			PART NO. <b>172195</b>
6						ISSUED			
5						SHEET	1 OF 1		REV. C
4	COVER	PE	NATURAL	1		CAD FILE	C:/172/172195.DWG		SIZE A
3	CONTACT PIN	PHOS. BRONZE	GOLD	1					SCALE NA
2	INSULATOR	TEFLON	NATURAL	1					
1	HOUSING W/ PANEL	BRASS	NEXCOTE	1					