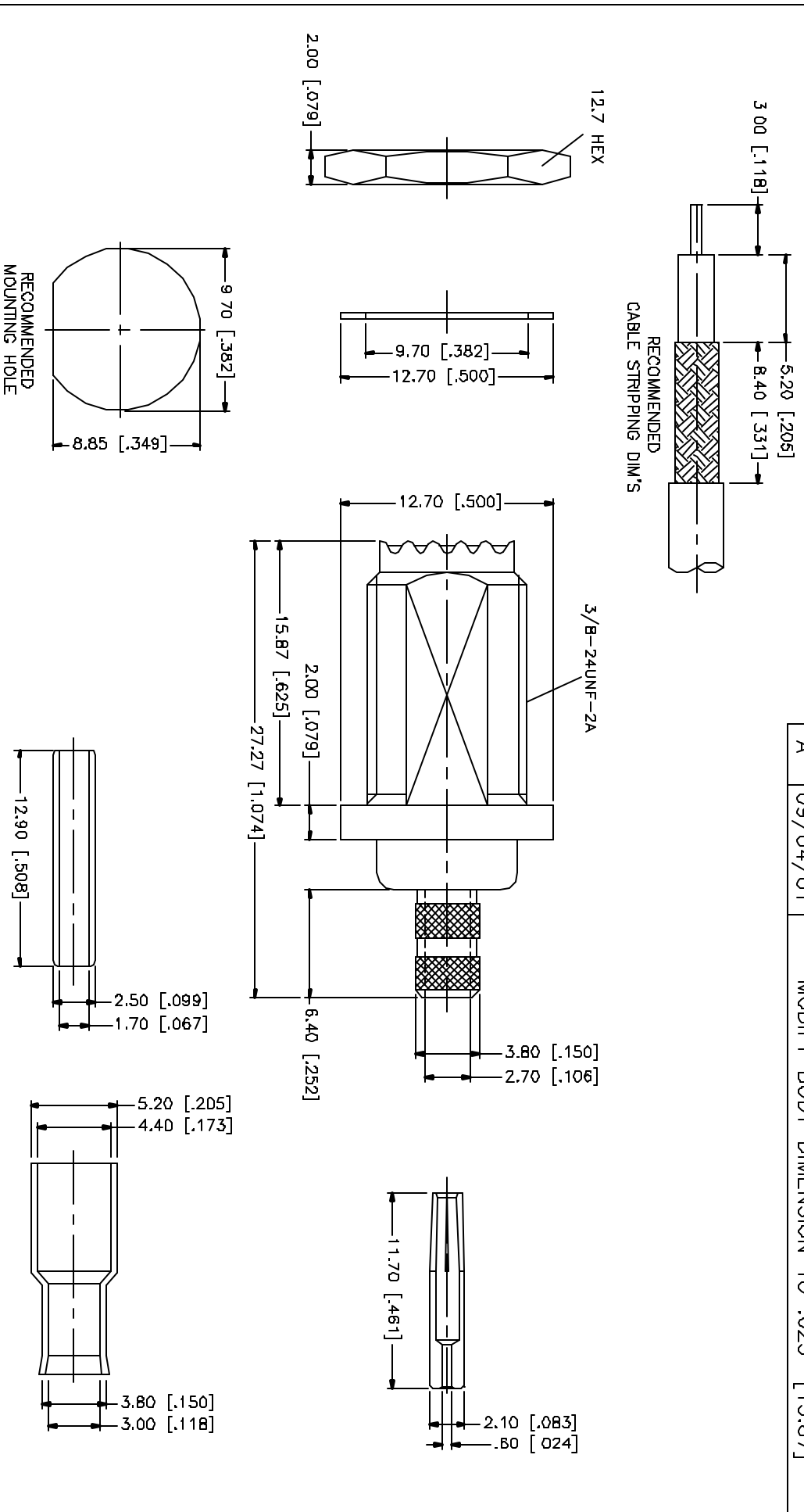


REV.	DATE	DESCRIPTION
A	09/04/01	MODIFY BODY DIMENSION TO .625" [15.87]



DESCRIPTION	MATERIAL	FINISH	UNLESS OTHERWISE SPECIFIED DIMENSIONS ARE IN MILLIMETERS	APPROVALS	DATE	TITLE	SCALE	PART NO.	SHEET	
1 BODY	BRASS	NICKEL	UNLESS OTHERWISE SPECIFIED DIMENSIONS IN [] ARE IN INCHES FOR CUSTOMER REFERENCE ONLY DIMENSIONS FOR MILLIMETERS ARE: 0.5-6 = ± 0.2 6-30 = ± 0.4 30-120 = ± 0.6 120-375 = ± 1 375-1000 = ± 1.6 1000-2000 = ± 2.4	DRAWN	09/04/01	Connex Connector Corporation MINI-UHF BULKHEAD CRIMP JACK (FOR 174/U, 188/U, 316/U CABLE)	NA	182317	1 OF 1	
2 INSULATOR	TEFLON	NATURAL		CHECKED				SIZE		
3 BARREL	BRASS	NICKEL		ISSUED				A	99001	REV.
4 CONTACT PIN	PHOS. BRONZE	GOLD								A
5 SLEEVE	DELTRIN	NATURAL								
6 FERRULE	BRASS	NICKEL								
7										
8				DO NOT SCALE DRAWINGS						