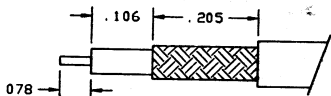
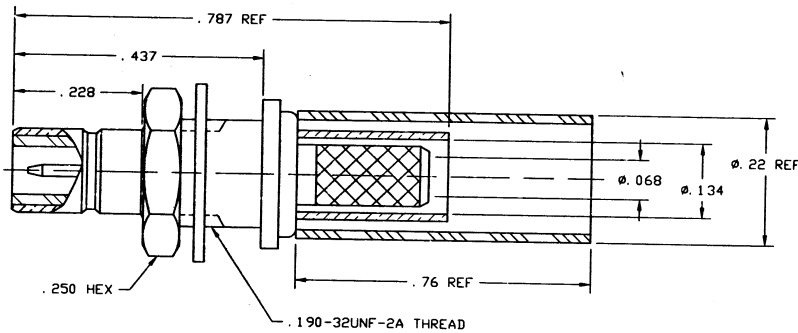
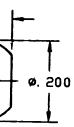


FINISH:
 ASS. GOLD PLATED
 PPER, GOLD PLATED
 PTFE
 PARTS: BRASS, GOLD PLATED

903-505J-51 S1		REVISIONS			
DRAWING NO.	REV	DESCRIPTION	DATE	ECO	APPR
THIRD ANGLE PROJ.	A	OFFICIAL ENG. RELEASE TO MFG.	1-17-95	40391	PB/
	B	REDRAWN, UPDATED	11/1/98	41234	PB/



CUSTOMER DRAWING

DIMENSIONS ARE IN INCHES AND TOLERANCES ARE:
 3 PLACE DECIMAL
 ±.005 (0.127 mm)
 ANGLES
 ± 1°
 All dimensions, or other data (1) are, and remain the property of Amphenol Corporation and must be returned upon request; and (2) are not to be furnished to any person other than those to whom they are specifically intended, or (3) are not to be furnished to any other person to anyone for any purpose in any manner, including, but not limited to, manufacturing, use or sale, or otherwise in any manner licensing, granting, or otherwise, that may in any way be related to the production of this drawing, or other data.

MATERIAL	DRAWN	DATE	TITLE	Amphenol Amphenol Corporation RF/Microwave Operations Danbury, Conn. U.S.A. 06810
	P. BRENZEL	1-4-95		
	ENGINEER	DATE		
	P. BRENZEL	1-4-95		
REFERENCE	APPROVED	DATE	SMB BULKHEAD JACK CRIMP TYPE FOR DOUBLE SHIELDED RG-316/U CABLE	SCALE: 6:1
	EAR 111-964556 EAR 107-966180			SHEET 1 OF 2
CAD FILE H: \PETE\SMB\903\ASSY\50551.S1C			CODE ID 74868	DWG SIZE B
			DRAWING NO. 903-505J-51 S1	REV B