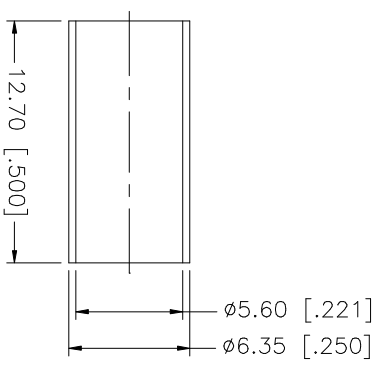
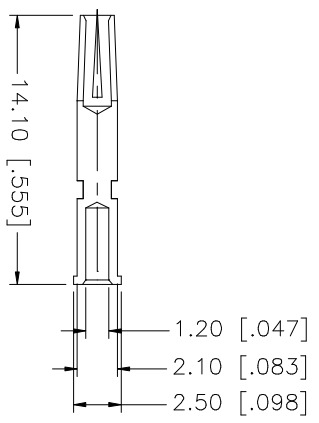
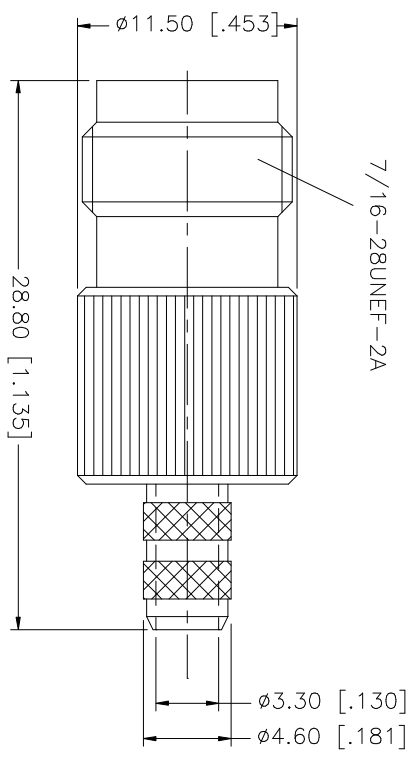
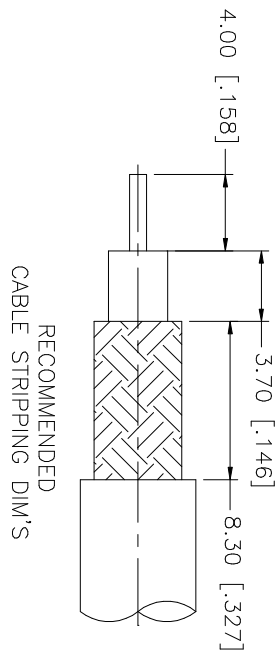


REV.	DATE	DESCRIPTION
NC	07/28/98	INITIAL RELEASE
A	08/04/05	UPDATE DRAWING FORMAT



NO.	DESCRIPTION	MATERIAL	FINISH	QTY	UNLESS OTHERWISE SPECIFIED DIMENSIONS ARE IN MILLIMETERS DIMENSIONS IN [ ] ARE IN INCHES AND FOR CUSTOMER REFERENCE ONLY.	UNLESS OTHERWISE SPECIFIED TOLERANCES FOR MILLIMETERS ARE:	UNLESS OTHERWISE SPECIFIED TOLERANCES FOR INCHES ARE:	APPROVALS	DATE	PART DESCRIPTION			
8						0.5 - 8mm ± 0.20mm	.020 - .315 = ± 0.007"	DRAWN	G.R.S.	08/04/05	<p style="text-align: center;"><b>Amphenol Connex</b></p> <p style="text-align: center;">TNC CRIMP JACK (FOR LMR 200 CABLE)</p> <p style="text-align: center;">122412</p>		
7					8 - 30mm ± 0.40mm	.315 - 1.180 = ± 0.015"	CHECKED						
6					30 - 120mm ± 0.50mm	1.180 - 4.724 = ± 0.020"	ISSUED						
5							SHEET	1 OF 1					
4	FERRULE	COPPER	NICKEL	1									
3	CONTACT PIN	PHOS. BRONZE	GOLD	1									
2	INSULATOR	TEFLON	NATURAL	1									
1	BODY	BRASS	NICKEL	1									
DESCRIPTION					MATERIAL	FINISH	QTY	CAD FILE C:/122/122412.DWG		DWG. NO. 122412.DWG	REV. A	SIZE A	SCALE NA