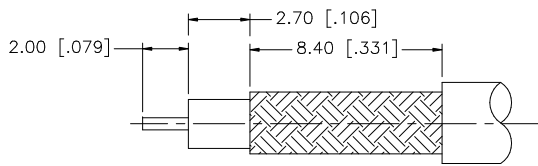
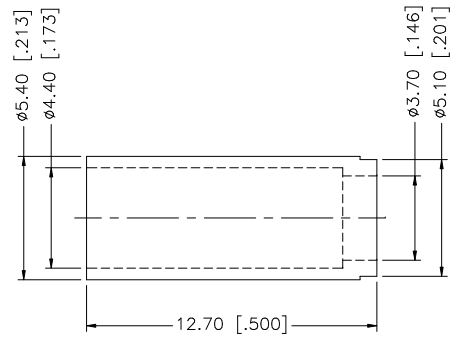
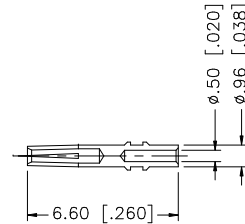
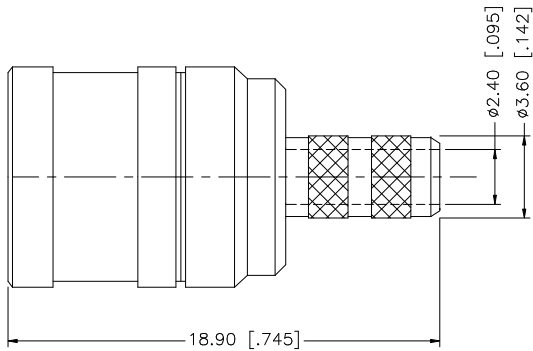


REV.	DATE	DESCRIPTION
NC	03/06/00	INITIAL RELEASE
A	12/12/05	UPDATE DRAWING FORMAT



RECOMMENDED  
CABLE STRIPPING DIM'S



NOTE:

1. CRIMPED FERRULE  
HEX CRIMP SIZE .178"
2. CONTACT PIN TO SOLDER.

8				UNLESS OTHERWISE SPECIFIED DIMENSIONS ARE IN MILLIMETERS; DIMENSIONS IN [ ] ARE IN INCHES AND FOR CUSTOMER REFERENCE ONLY.	APPROVALS	DATE	<h1 style="color: blue; margin: 0;">Amphenol Connex</h1>
7			1	UNLESS OTHERWISE SPECIFIED TOLERANCES FOR MILLIMETERS ARE: 0.5 - 8mm ± 0.20mm 8 - 30mm ± 0.40mm 30 - 120mm ± 0.50mm	DRAWN G.R.S.	12/12/05	
6				UNLESS OTHERWISE SPECIFIED TOLERANCES FOR INCHES ARE: .020 - .315 = ± 0.007" .315 - 1.180 = ± 0.015" 1.180 - 4.724 = ± 0.020"	CHECKED		
5					ISSUED		
4	FERRULE	BRASS	GOLD		SHEET 1 OF 1		
3	CONTACT PIN	BER. COPPER	GOLD	1			PART DESCRIPTION <b>MINI 75ohm SMB CRIMP PLUG (FOR AT&amp;T 735A CABLE)</b>
2	INSULATOR	TEFLON	NATURAL	1			PART NO. <b>142222-75</b>
1	BODY	BRASS	GOLD	1			DWG. NO. 142222-75.DWG
	DESCRIPTION	MATERIAL	FINISH	QTY	DO NOT SCALE DRAWING	C:/142/142222-75.DWG	REV. A SIZE A SCALE NA