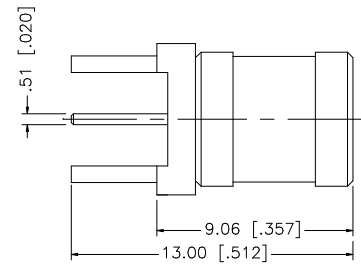
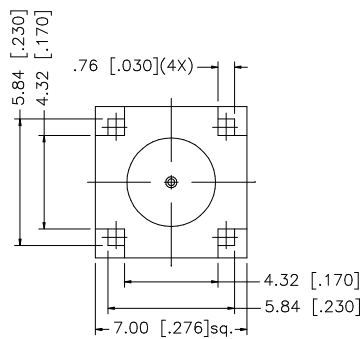
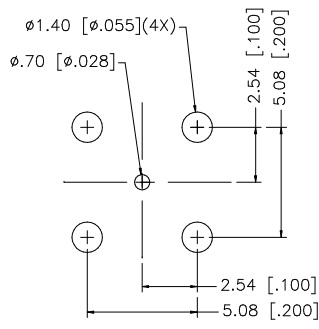


REV.	DATE	DESCRIPTION
A	03/25/03	UPDATE DRAWING FORMAT



8				<small>UNLESS OTHERWISE SPECIFIED DIMENSIONS ARE IN MILLIMETERS. DIMENSIONS IN [] ARE IN INCHES AND FOR CUSTOMER REFERENCE ONLY.</small> <small>UNLESS OTHERWISE SPECIFIED TOLERANCES FOR MILLIMETERS ARE:</small> 0.5 - 8mm ± 0.20mm 8 - 30mm ± 0.40mm 30 - 120mm ± 0.50mm <small>UNLESS OTHERWISE SPECIFIED TOLERANCES FOR INCHES ARE:</small> .020 - .315 = ± 0.007" .315 - 1.180 = ± 0.015" 1.180 - 4.724 = ± 0.020"	APPROVALS	DATE	<h1 style="color: blue;">Amphenol Connex</h1>		
7			DRAWN		G.R.S.	03/25/03			
6			CHECKED						
5			ISSUED						
4			SHEET		1 OF 1				
3	CONTACT PIN	BER. COPPER	GOLD	1	PART DESCRIPTION				
2	INSULATOR	TEFLON	NATURAL	1	MINI 75 ohm SMB P.C. MOUNT PLUG				
1	HOUSING/BODY	BRASS	GOLD	1	PART NO.		142134-75		
	DESCRIPTION	MATERIAL	FINISH	QTY	CAD FILE	DWG. NO.	REV.	SIZE	SCALE
					C:/142/142134-75.DWG	142134-75.DWG	A	A	NA