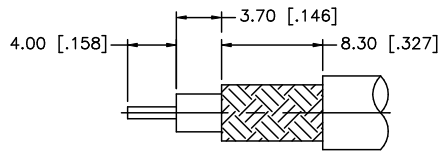
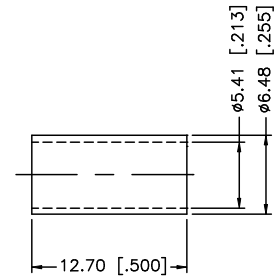
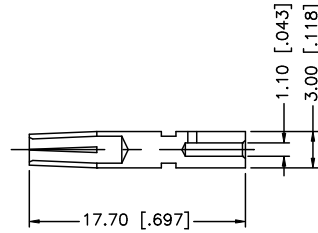
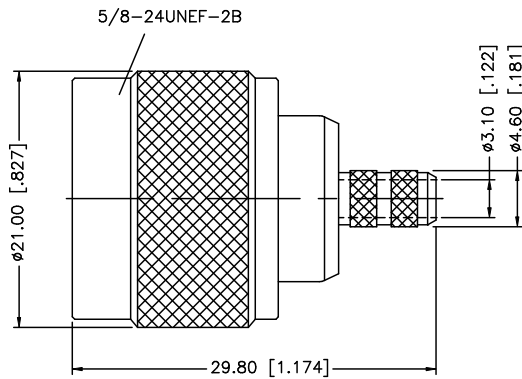


REV.	DATE	DESCRIPTION
A	07/31/98	MODIFY CONTACT PIN I.D.
B	05/09/07	UPDATE DRAWING FORMAT



RECOMMENDED
CABLE STRIPPING DIM'S



NOTE:

1. CRIMPED FERRULE HEX CRIMP SIZE .213"
2. CRIMPED CONTACT PIN HEX CRIMP SIZE .100"

DESCRIPTION	MATERIAL	FINISH	QTY	DO NOT SCALE DRAWING	APPROVALS	DATE	Amphenol Connex			
8				<small>UNLESS OTHERWISE SPECIFIED DIMENSIONS ARE IN MILLIMETERS, DIMENSIONS IN [] ARE IN INCHES AND FOR CUSTOMER REFERENCE ONLY.</small> <small>UNLESS OTHERWISE SPECIFIED TOLERANCES FOR MILLIMETERS ARE:</small> 0.5 - 8mm ± 0.20mm 8 - 30mm ± 0.40mm 30 - 120mm ± 0.50mm <small>UNLESS OTHERWISE SPECIFIED TOLERANCES FOR INCHES ARE:</small> .020 - .315 = ± 0.007" .315 - 1.180 = ± 0.015" 1.180 - 4.724 = ± 0.020"	DRAWN	G.R.S.	05/09/07	PART DESCRIPTION N CRIMP REVERSE POLARITY PLUG (RG-58/U CABLE)		
7					CHECKED					
6						ISSUED		PART NO. 172100RP		
5						SHEET	1 OF 1			
4	FERRULE	BRASS	NICKEL		1			DWG. NO. 172100RP.DWG		
3	CONTACT PIN	PHOS. BRONZE	GOLD	1			REV. B			
2	INSULATOR	TEFLON	NATURAL	1						
1	HOUSING/BODY	BRASS	NICKEL	1						