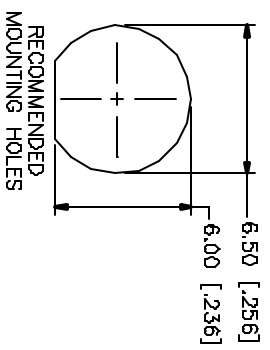
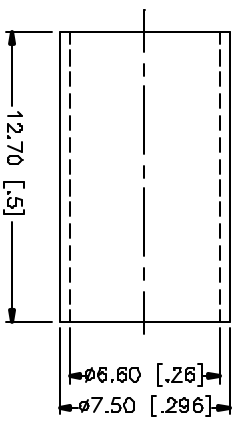
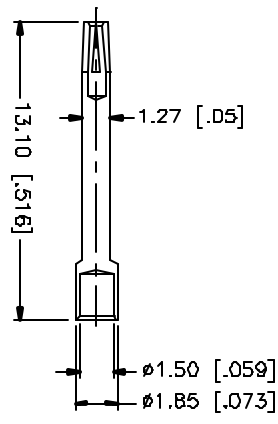
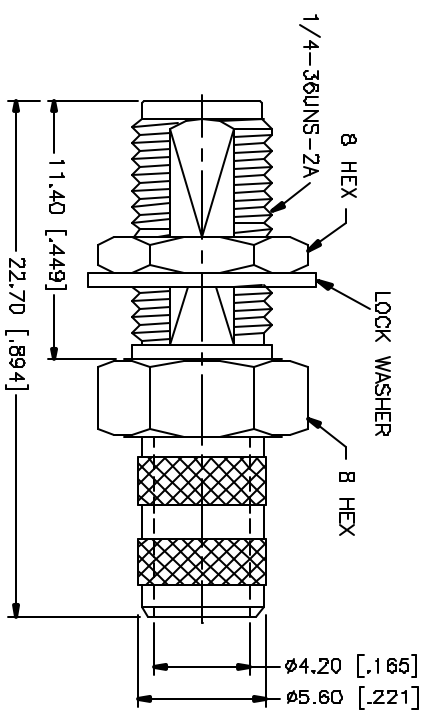
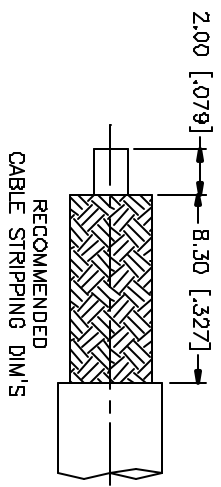


| REV. | DATE | DESCRIPTION |
|------|----------|-----------------------|
| NC | 08/27/98 | INITIAL RELEASE |
| A | 05/01/04 | UPDATE DRAWING FORMAT |



| REV. | DATE | DESCRIPTION |
|------|------|-------------|
| 8 | | |
| 7 | | |
| 6 | | |
| 5 | | |
| 4 | | |
| 3 | | |
| 2 | | |
| 1 | | |

| REV. | DATE | DESCRIPTION |
|------|------|-------------|
| 8 | | |
| 7 | | |
| 6 | | |
| 5 | | |
| 4 | | |
| 3 | | |
| 2 | | |
| 1 | | |

| REV. | DATE | DESCRIPTION |
|------|------|-------------|
| 8 | | |
| 7 | | |
| 6 | | |
| 5 | | |
| 4 | | |
| 3 | | |
| 2 | | |
| 1 | | |

| REV. | DATE | DESCRIPTION |
|------|------|-------------|
| 8 | | |
| 7 | | |
| 6 | | |
| 5 | | |
| 4 | | |
| 3 | | |
| 2 | | |
| 1 | | |

| REV. | DATE | DESCRIPTION |
|------|------|-------------|
| 8 | | |
| 7 | | |
| 6 | | |
| 5 | | |
| 4 | | |
| 3 | | |
| 2 | | |
| 1 | | |

| REV. | DATE | DESCRIPTION |
|------|------|-------------|
| 8 | | |
| 7 | | |
| 6 | | |
| 5 | | |
| 4 | | |
| 3 | | |
| 2 | | |
| 1 | | |

| REV. | DATE | DESCRIPTION |
|------|------|-------------|
| 8 | | |
| 7 | | |
| 6 | | |
| 5 | | |
| 4 | | |
| 3 | | |
| 2 | | |
| 1 | | |

| REV. | DATE | DESCRIPTION |
|------|------|-------------|
| 8 | | |
| 7 | | |
| 6 | | |
| 5 | | |
| 4 | | |
| 3 | | |
| 2 | | |
| 1 | | |

| REV. | DATE | DESCRIPTION |
|------|------|-------------|
| 8 | | |
| 7 | | |
| 6 | | |
| 5 | | |
| 4 | | |
| 3 | | |
| 2 | | |
| 1 | | |

| REV. | DATE | DESCRIPTION |
|------|------|-------------|
| 8 | | |
| 7 | | |
| 6 | | |
| 5 | | |
| 4 | | |
| 3 | | |
| 2 | | |
| 1 | | |

| REV. | DATE | DESCRIPTION |
|------|------|-------------|
| 8 | | |
| 7 | | |
| 6 | | |
| 5 | | |
| 4 | | |
| 3 | | |
| 2 | | |
| 1 | | |

| REV. | DATE | DESCRIPTION |
|------|------|-------------|
| 8 | | |
| 7 | | |
| 6 | | |
| 5 | | |
| 4 | | |
| 3 | | |
| 2 | | |
| 1 | | |

| REV. | DATE | DESCRIPTION |
|------|------|-------------|
| 8 | | |
| 7 | | |
| 6 | | |
| 5 | | |
| 4 | | |
| 3 | | |
| 2 | | |
| 1 | | |

| REV. | DATE | DESCRIPTION |
|------|------|-------------|
| 8 | | |
| 7 | | |
| 6 | | |
| 5 | | |
| 4 | | |
| 3 | | |
| 2 | | |
| 1 | | |

| REV. | DATE | DESCRIPTION |
|------|------|-------------|
| 8 | | |
| 7 | | |
| 6 | | |
| 5 | | |
| 4 | | |
| 3 | | |
| 2 | | |
| 1 | | |

| REV. | DATE | DESCRIPTION |
|------|------|-------------|
| 8 | | |
| 7 | | |
| 6 | | |
| 5 | | |
| 4 | | |
| 3 | | |
| 2 | | |
| 1 | | |

| REV. | DATE | DESCRIPTION |
|------|------|-------------|
| 8 | | |
| 7 | | |
| 6 | | |
| 5 | | |
| 4 | | |
| 3 | | |
| 2 | | |
| 1 | | |

| REV. | DATE | DESCRIPTION |
|------|------|-------------|
| 8 | | |
| 7 | | |
| 6 | | |
| 5 | | |
| 4 | | |
| 3 | | |
| 2 | | |
| 1 | | |

| REV. | DATE | DESCRIPTION |
|------|------|-------------|
| 8 | | |
| 7 | | |
| 6 | | |
| 5 | | |
| 4 | | |
| 3 | | |
| 2 | | |
| 1 | | |

| REV. | DATE | DESCRIPTION |
|------|------|-------------|
| 8 | | |
| 7 | | |
| 6 | | |
| 5 | | |
| 4 | | |
| 3 | | |
| 2 | | |
| 1 | | |

| REV. | DATE | DESCRIPTION |
|------|------|-------------|
| 8 | | |
| 7 | | |
| 6 | | |
| 5 | | |
| 4 | | |
| 3 | | |
| 2 | | |
| 1 | | |

| REV. | DATE | DESCRIPTION |
|------|------|-------------|
| 8 | | |
| 7 | | |
| 6 | | |
| 5 | | |
| 4 | | |
| 3 | | |
| 2 | | |
| 1 | | |

| REV. | DATE | DESCRIPTION |
|------|------|-------------|
| 8 | | |
| 7 | | |
| 6 | | |
| 5 | | |
| 4 | | |
| 3 | | |
| 2 | | |
| 1 | | |

| REV. | DATE | DESCRIPTION |
|------|------|-------------|
| 8 | | |
| 7 | | |
| 6 | | |
| 5 | | |
| 4 | | |
| 3 | | |
| 2 | | |
| 1 | | |

| REV. | DATE | DESCRIPTION |
|------|------|-------------|
| 8 | | |
| 7 | | |
| 6 | | |
| 5 | | |
| 4 | | |
| 3 | | |
| 2 | | |
| 1 | | |

| REV. | DATE | DESCRIPTION |
|------|------|-------------|
| 8 | | |
| 7 | | |
| 6 | | |
| 5 | | |
| 4 | | |
| 3 | | |
| 2 | | |
| 1 | | |

| REV. | DATE | DESCRIPTION |
|------|------|-------------|
| 8 | | |
| 7 | | |
| 6 | | |
| 5 | | |
| 4 | | |
| 3 | | |
| 2 | | |
| 1 | | |

| REV. | DATE | DESCRIPTION |
|------|------|-------------|
| 8 | | |
| 7 | | |
| 6 | | |
| 5 | | |
| 4 | | |
| 3 | | |
| 2 | | |
| 1 | | |

| REV. | DATE | DESCRIPTION |
|------|------|-------------|
| 8 | | |
| 7 | | |
| 6 | | |
| 5 | | |
| 4 | | |
| 3 | | |
| 2 | | |
| 1 | | |

| REV. | DATE | DESCRIPTION |
|------|------|-------------|
| 8 | | |
| 7 | | |
| 6 | | |
| 5 | | |
| 4 | | |
| 3 | | |
| 2 | | |
| 1 | | |

| REV. | DATE | DESCRIPTION |
|------|------|-------------|
| 8 | | |
| 7 | | |
| 6 | | |
| 5 | | |
| 4 | | |
| 3 | | |
| 2 | | |
| 1 | | |

| REV. | DATE | DESCRIPTION |
|------|------|-------------|
| 8 | | |
| 7 | | |
| 6 | | |
| 5 | | |
| 4 | | |
| 3 | | |
| 2 | | |
| 1 | | |

| REV. | DATE | DESCRIPTION |
|------|------|-------------|
| 8 | | |
| 7 | | |
| 6 | | |
| 5 | | |
| 4 | | |
| 3 | | |
| 2 | | |
| 1 | | |

| REV. | DATE | DESCRIPTION |
|------|------|-------------|
| 8 | | |
| 7 | | |
| 6 | | |
| 5 | | |
| 4 | | |
| 3 | | |
| 2 | | |
| 1 | | |

| REV. | DATE | DESCRIPTION |
|------|------|-------------|
| 8 | | |
| 7 | | |
| 6 | | |
| 5 | | |
| 4 | | |
| 3 | | |
| 2 | | |
| 1 | | |

| REV. | DATE | DESCRIPTION |
|------|------|-------------|
| 8 | | |
| 7 | | |
| 6 | | |
| 5 | | |
| 4 | | |
| 3 | | |
| 2 | | |
| 1 | | |

| REV. | DATE | DESCRIPTION |
|------|------|-------------|
| 8 | | |
| 7 | | |
| 6 | | |
| 5 | | |
| 4 | | |
| 3 | | |
| 2 | | |
| 1 | | |

| REV. | DATE | DESCRIPTION |
|------|------|-------------|
| 8 | | |
| 7 | | |
| 6 | | |
| 5 | | |
| 4 | | |
| 3 | | |
| 2 | | |
| 1 | | |

| REV. | DATE | DESCRIPTION |
|------|------|-------------|
| 8 | | |
| 7 | | |
| 6 | | |
| 5 | | |
| 4 | | |
| 3 | | |
| 2 | | |
| 1 | | |

| REV. | DATE | DESCRIPTION |
|------|------|-------------|
| 8 | | |
| 7 | | |
| 6 | | |
| 5 | | |
| 4 | | |
| 3 | | |
| 2 | | |
| 1 | | |

| REV. | DATE | DESCRIPTION |
|------|------|-------------|
| 8 | | |
| 7 | | |
| 6 | | |
| 5 | | |
| 4 | | |
| 3 | | |
| 2 | | |
| 1 | | |

| REV. | DATE | DESCRIPTION |
|------|------|-------------|
| 8 | | |
| 7 | | |
| 6 | | |
| 5 | | |
| 4 | | |
| 3 | | |
| 2 | | |
| 1 | | |

| REV. | DATE | DESCRIPTION |
|------|------|-------------|
| 8 | | |
| 7 | | |
| 6 | | |
| 5 | | |
| 4 | | |
| 3 | | |
| 2 | | |
| 1 | | |

| REV. | DATE | DESCRIPTION |
|------|------|-------------|
| 8 | | |
| 7 | | |
| 6 | | |
| 5 | | |
| 4 | | |
| 3 | | |
| 2 | | |
| 1 | | |

| REV. | DATE | DESCRIPTION |
|------|------|-------------|
| 8 | | |
| 7 | | |
| 6 | | |
| 5 | | |
| 4 | | |
| 3 | | |
| 2 | | |
| 1 | | |

| REV. | DATE | DESCRIPTION |
|------|------|-------------|
| 8 | | |
| 7 | | |
| 6 | | |
| 5 | | |
| 4 | | |
| 3 | | |
| 2 | | |
| 1 | | |

| REV. | DATE | DESCRIPTION |
|------|------|-------------|
| 8 | | |
| 7 | | |
| 6 | | |
| 5 | | |
| 4 | | |
| 3 | | |
| 2 | | |
| 1 | | |

| REV. | DATE | DESCRIPTION |
|------|------|-------------|
|------|------|-------------|