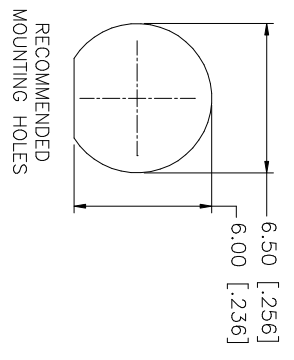
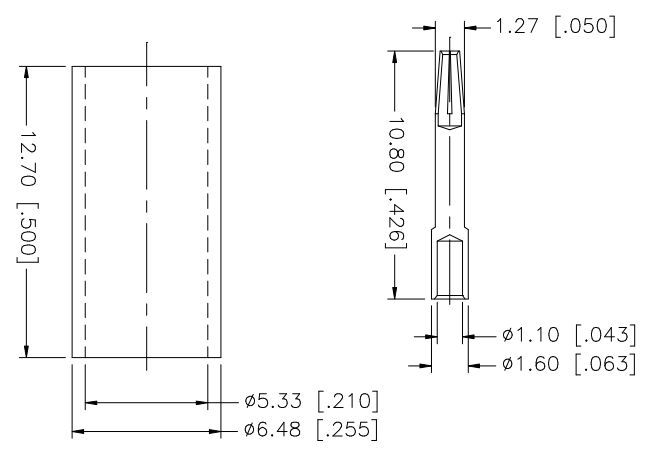
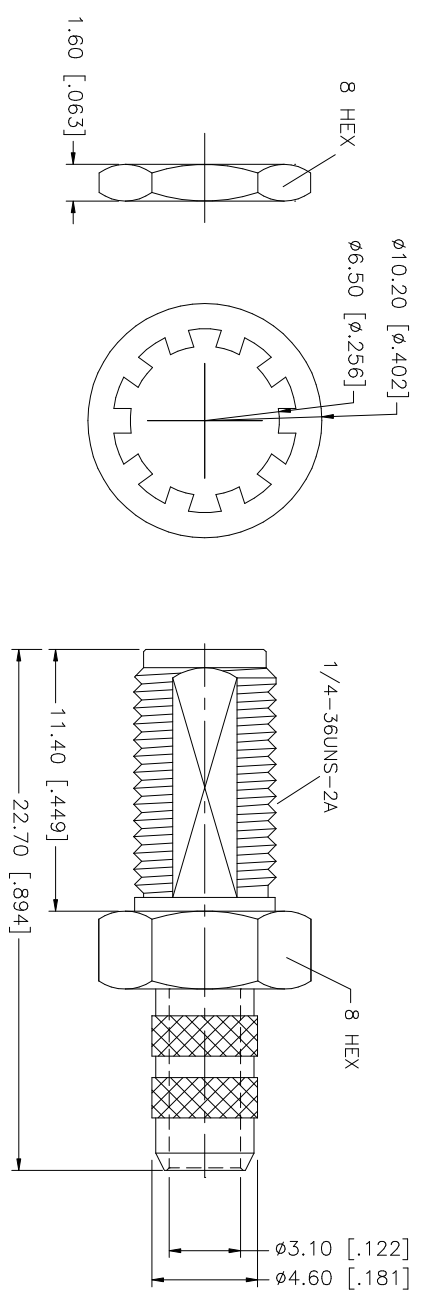
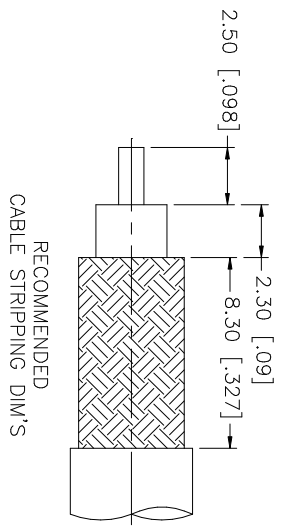


REV.	DATE	DESCRIPTION
A	01/23/04	UPDATE DRAWING FORMAT



NO.	DESCRIPTION	MATERIAL	FINISH	QTY	UNLESS OTHERWISE SPECIFIED DIMENSIONS ARE IN MILLIMETERS DIMENSIONS IN [] ARE IN INCHES AND FOR CUSTOMER REFERENCE ONLY.	APPROVALS	DATE	PART DESCRIPTION
8								<p style="text-align: center;">Amphenol Connex</p> <p style="text-align: center;">SMA BULKHEAD CRIMP JACK (FOR RG-58C/U, 58/U CABLE)</p> <p style="text-align: center;">PART NO. 132118</p>
7								
6	FERRULE	COPPER	GOLD	1	UNLESS OTHERWISE SPECIFIED TOLERANCES FOR MILLIMETERS ARE: 0.5 - 8mm ± 0.20mm 8 - 30mm ± 0.40mm 30 - 120mm ± 0.50mm	DRAWN G.R.S.	01/23/04	
5	LOCK WASHER	BRASS	GOLD	1	UNLESS OTHERWISE SPECIFIED TOLERANCES FOR INCHES ARE: .020 - .315 = ± 0.007" .315 - 1.180 = ± 0.015" 1.180 - 4.724 = ± 0.020"	CHECKED		
4	HEX NUT	BRASS	GOLD	1		ISSUED		
3	CONTACT PIN	BER. COPPER	GOLD	1		SHEET 1 OF 1		
2	INSULATOR	TEFLON	NATURAL	1				
1	BODY	BRASS	GOLD	1				
DESCRIPTION					MATERIAL	FINISH	QTY	
					DO NOT SCALE DRAWING	CAD FILE C:/132/132118.DWG	DWG. NO. 132118.DWG	REV. A SIZE A SCALE NA