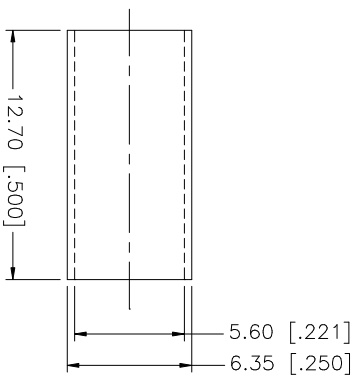
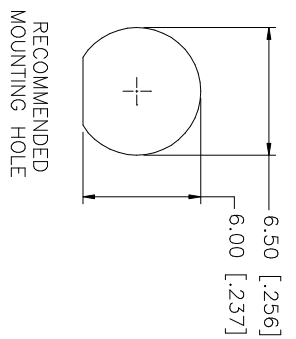
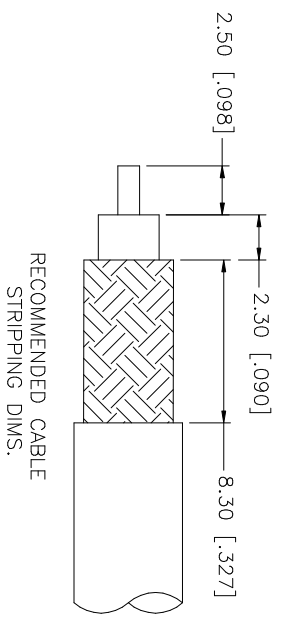
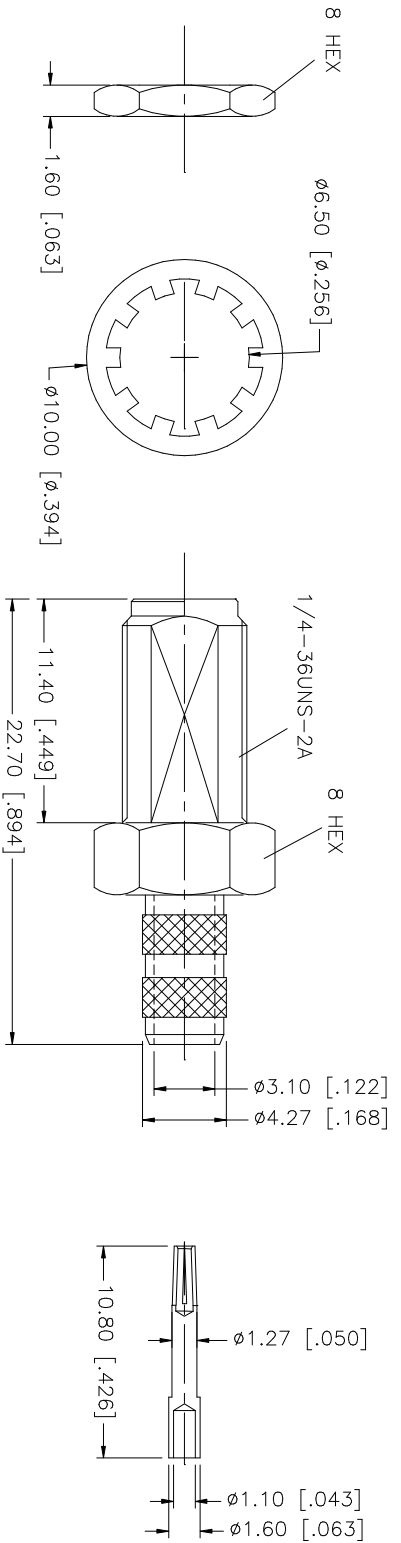


REV.	DATE	DESCRIPTION
NC	02/13/98	INITIAL RELEASE
A	05/01/04	UPDATE DRAWING FORMAT
B	06/25/05	ADD CABLE CALL OUT IN DESCRIPTION



8	7	6	5	4	3	2	1	DESCRIPTION	MATERIAL	FINISH	QTY
		FERRULE	HEX NUT	LOCK WASHER	CONTACT PIN	INSULATOR	BODY				
		COPPER	BRASS	BRASS	BER. COPPER	TEFLON	BRASS				
		GOLD	GOLD	GOLD	GOLD	NATURAL	GOLD				
		1	1	1	1	1	1				
<p>UNLESS OTHERWISE SPECIFIED DIMENSIONS ARE IN INCHES AND FOR CUSTOMER REFERENCE ONLY.</p> <p>TOLERANCES FOR MILLIMETERS ARE:</p> <p>0.5 - 8mm ± 0.20mm</p> <p>8 - 30mm ± 0.40mm</p> <p>30 - 120mm ± 0.50mm</p> <p>UNLESS OTHERWISE SPECIFIED DIMENSIONS ARE:</p> <p>.020 - .315 = ± 0.007"</p> <p>.315 - 1.180 = ± 0.015"</p> <p>1.180 - 4.724 = ± 0.020"</p> <p>DO NOT SCALE DRAWING</p>											
APPROVALS			DATE								
DRAWN G.R.S.			06/25/05								
CHECKED											
ISSUED											
SHEET 1 OF 1											
PART NO.			132191								
DWG. NO.			132191.DWG								
REV.			B								
SIZE			A								
SCALE			NA								
<p>Amphenol Connex</p> <p>SMA BULKHEAD CRIMP JACK (FOR RG-55, 142, 223, 400/U CABLE)</p>											