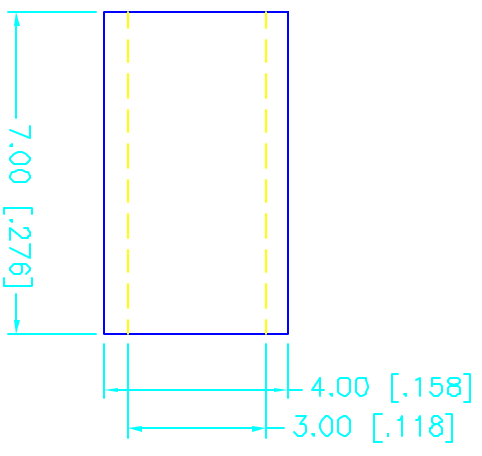
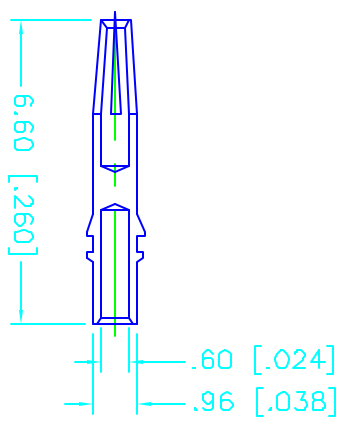
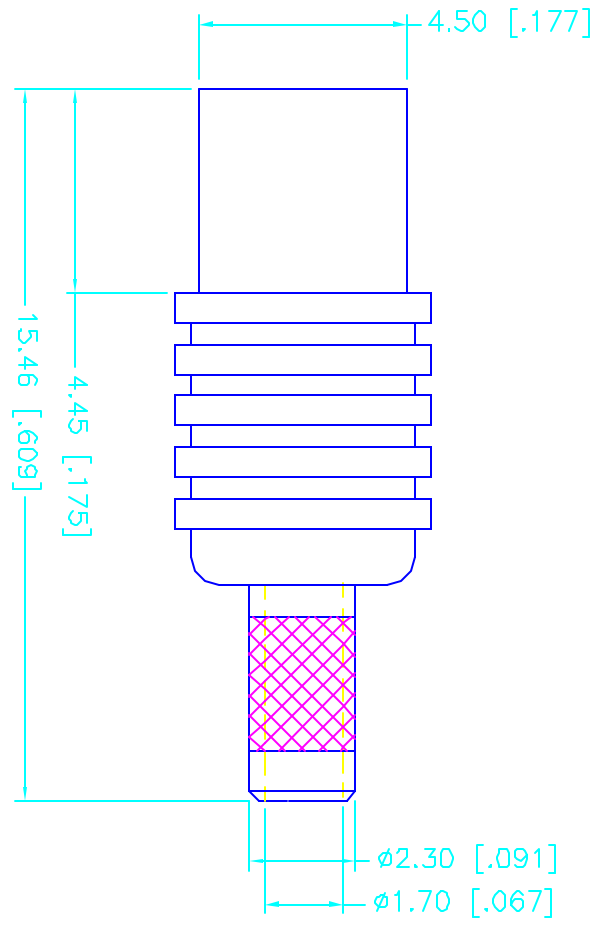
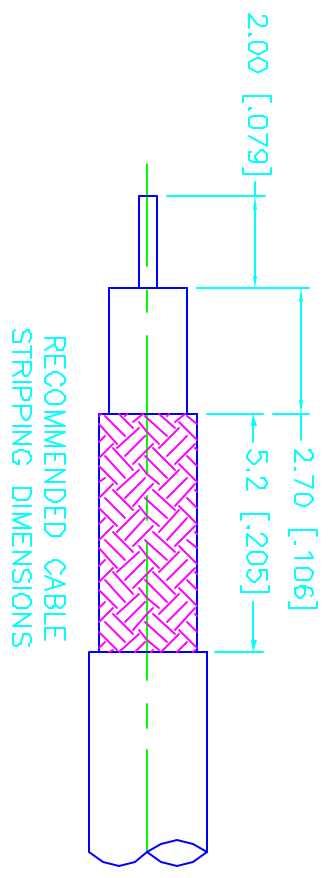


REV.	DATE	DESCRIPTION
NC	01/22/98	INITIAL RELEASE



DESCRIPTION	MATERIAL	FINISH	UNLESS OTHERWISE SPECIFIED DIMENSIONS ARE IN MILLIMETERS FOR CUSTOMER REFERENCE ONLY	APPROVALS	DATE	TITLE	
1 BODY	BRASS	GOLD	UNLESS OTHERWISE SPECIFIED DIMENSIONS ARE IN MILLIMETERS FOR CUSTOMER REFERENCE ONLY TOLERANCES FOR MILLIMETERS ARE: 0.5-6 = ± 0.2 6-30 = ± 0.4 30-120 = ± 0.6 120-315 = ± 1 315-1000 = ± 1.6 1000-2000 = ± 2.4	DRAWN	01/22/98	<b>comnex</b> Connector Corporation MCX CRIMP JACK (FOR RG-174/U, 188A/U, 316/U CABLE)	
2 INSULATOR	TEFLON	NATURAL		CHECKED	G.R.S.		
3 CONTACT PIN	BER. COPPER	GOLD		ISSUED			
4 FERRULE	COPPER	GOLD					
5							
6							
7							
8							

SCALE	NA	PART NO.	252139	SHEET	1 OF 1
SIZE	FROM NO.	DWG. NO.	99001	REV.	NC