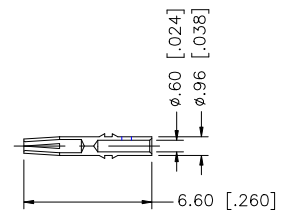
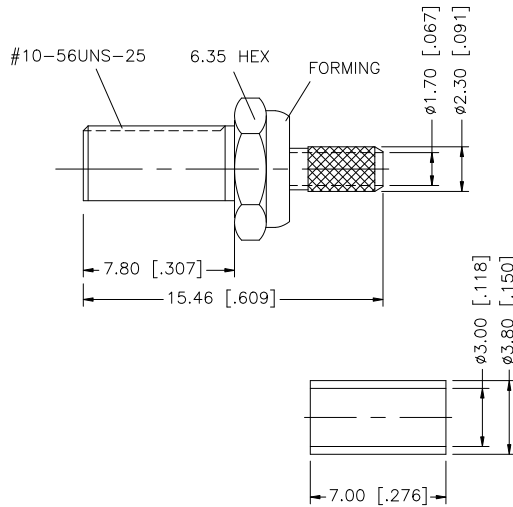
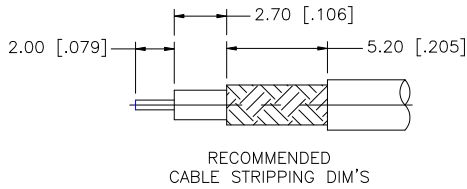
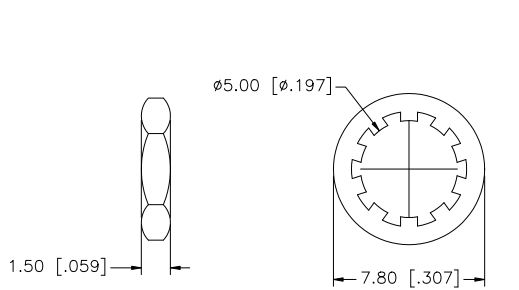
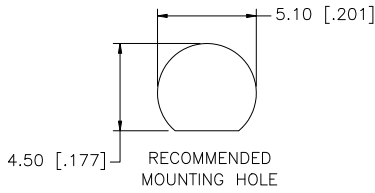


REV.	DATE	DESCRIPTION
NC	01/21/01	INITIAL RELEASE
A	07/08/07	UPDATE DRAWING FORMAT



CRIMP NOTES:

1. CRIMPED FERRULE HEX CRIMP SIZE .128"
2. CONTACT PIN TO SOLDER
3. MAX. PANEL THICKNESS = 6.8mm

DESCRIPTION	MATERIAL	FINISH	QTY	DO NOT SCALE DRAWING	APPROVALS	DATE	PART DESCRIPTION							
8							<p style="text-align: center;"><b>Amphenol Connex</b></p> <p style="text-align: center;">MCX BULKHEAD CRIMP JACK (FOR RG-174/U, 188A/U, 316/U)</p>							
7	FERRULE	COPPER	GOLD	1	DRAWN	G.R.S.				07/08/07				
6	HEX NUT	BRASS	GOLD	1	CHECKED									
5	LOCK WASHER	BRASS	GOLD	1	ISSUED									
4	CONTACT PIN	BER. COPPER	GOLD	1	SHEET	1 OF 1	PART NO. 252145							
3	BARREL	BRASS	GOLD	1	CAD FILE	C:/252/252145.DWG	DWG. NO.	252145.DWG	REV.	A	SIZE	A	SCALE	NA
2	INSULATOR	TEFLON	NATURAL	2										
1	BODY	BRASS	GOLD	1										

UNLESS OTHERWISE SPECIFIED DIMENSIONS ARE IN MILLIMETERS. DIMENSIONS IN [ ] ARE IN INCHES AND FOR CUSTOMER REFERENCE ONLY.

UNLESS OTHERWISE SPECIFIED TOLERANCES FOR MILLIMETERS ARE:  
0.5 - 8mm ± 0.20mm  
8 - 30mm ± 0.40mm  
30 - 120mm ± 0.50mm

UNLESS OTHERWISE SPECIFIED TOLERANCES FOR INCHES ARE:  
.020 - .315 = ± 0.007"  
.315 - 1.180 = ± 0.015"  
1.180 - 4.724 = ± 0.020"