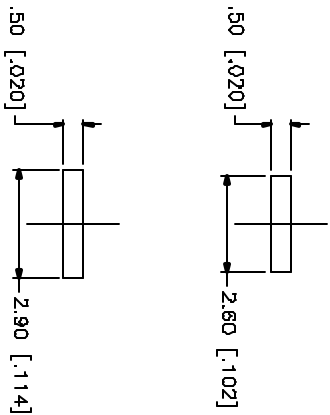
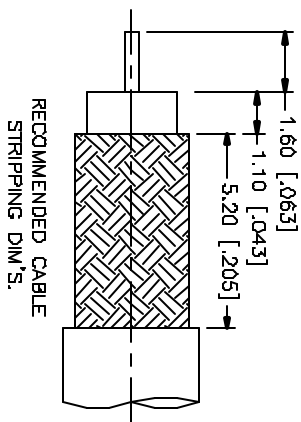
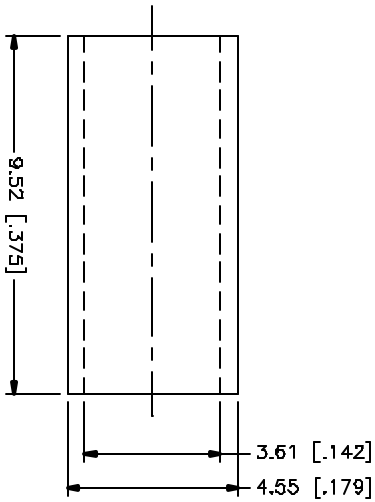
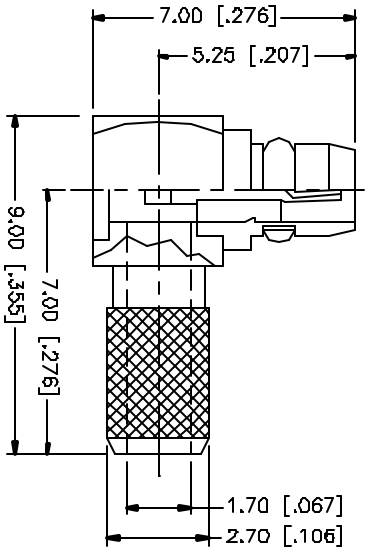


REV.	DATE	DESCRIPTION
NC	05/01/04	INITIAL RELEASE



- CRIMP NOTES:
1. CRIMPED FERRULE
HEX CRIMP SIZE .151"
 2. CONTACT PIN TO SOLDER

QTY	DESCRIPTION	MATERIAL	FINISH
1	FERRULE	COPPER	GOLD
1	COVER	BRASS	GOLD
1	INSULATOR	TEFLON	NATURAL
1	RETAINER RING	BER. COPPER	GOLD
1	CONTACT PIN	BRASS	GOLD
1	INSULATOR	TEFLON	NATURAL
1	HOUSING/BODY	BRASS	GOLD
	DESCRIPTION	MATERIAL	FINISH

APPROVALS	DATE
DRAWN G.R.S.	05/01/04
CHECKED	
ISSUED	
SHEET 1 OF 1	

UNLESS OTHERWISE SPECIFIED, DIMENSIONS ARE IN INCHES AND THE DECIMAL FRACTIONS SHALL FOLLOW THE DIMENSIONS SPECIFIED.
UNLESS OTHERWISE SPECIFIED, DIMENSIONS FOR MILLIMETER ARE: 0.5 - 8mm ± 0.20mm 8 - 30mm ± 0.40mm 30 - 120mm ± 0.50mm
UNLESS OTHERWISE SPECIFIED, DIMENSIONS FOR METER ARE: .020 - .315 = ± 0.007" .315 - 1.180 = ± 0.015" 1.180 - 4.724 = ± 0.020"

CAD FILE	DWG. NO.	REV.	SIZE	SCALE
C:/262/262111.DWG	262111.DWG	NC	A	NA

PART DESCRIPTION	PART NO.
Amphenol Connex MMCX R/A CRIMP PLUG (FOR RG-316U/D CABLE)	262111