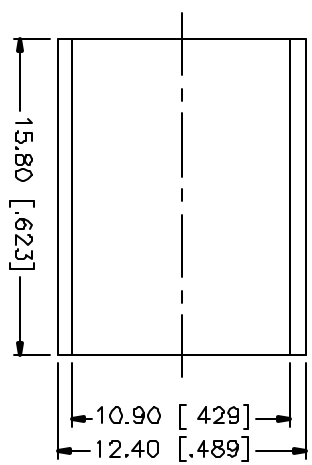
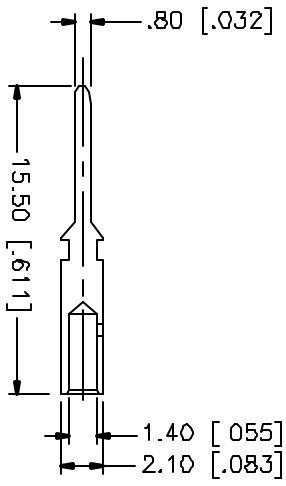
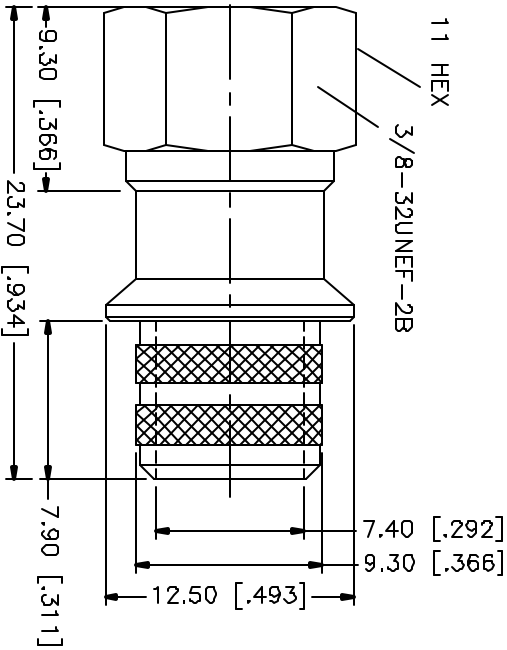
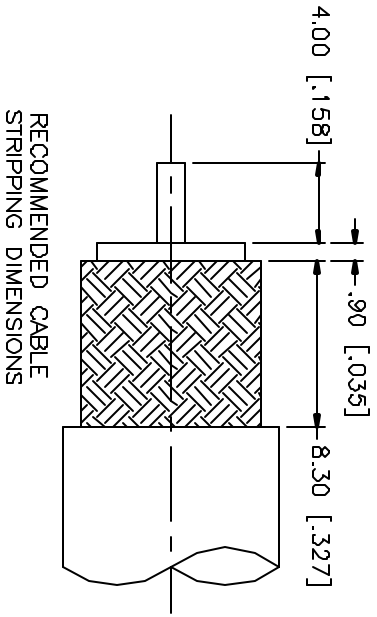


REV	DATE	DESCRIPTION
NC	02/12/01	INITIAL RELEASE



- CRIMP NOTES:
1. CRIMPED FERRULE
HEX CRIMP SIZE .429"
 2. CRIMPED CONTACT PIN
HEX CRIMP SIZE .068"

DESCRIPTION	MATERIAL	FINISH
1 BODY	BRASS	NICKEL
2 INSULATOR	DELFIN	NATURAL
3 CONTACT PIN	BRASS	GOLD
4 BARREL	BRASS	NICKEL
5 FERRULE	BRASS	NICKEL
6		
7		
8		


UNLESS OTHERWISE SPECIFIED DIMENSIONS ARE IN MILLIMETERS DIMENSIONS IN [] ARE IN INCHES FOR CUSTOMER REFERENCE ONLY

UNLESS OTHERWISE SPECIFIED TOLERANCES FOR MILLIMETERS ARE

0.5-5 = ± 0.2
 8-30 = ± 0.4
 30-120 = ± 0.6
 120-315 = ± 1
 315-1000 = ± 1.6
 1000-2000 = ± 2.4

DO NOT SCALE DRAWING

APPROVALS	DATE
DRAWN G.R.S.	02/12/01
CHECKED	
SEALED	


Comnex
 Connector Corporation
 F CRIMP PLUG
 (FOR RG-11 CABLE)
 DWS. NO. 222175.DWG
 SCALE NA PART NO. 222175 SHEET 1 OF 1
 REV. NC