

10 9 8 7 6 5 4 3 2 1

MATERIALS AND FINISHES

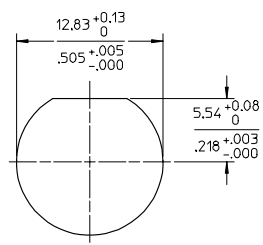
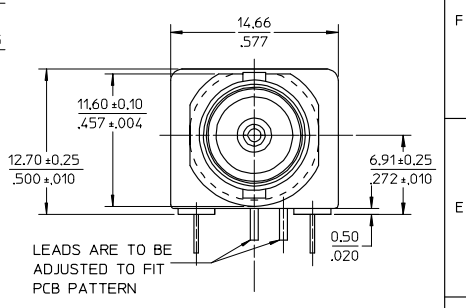
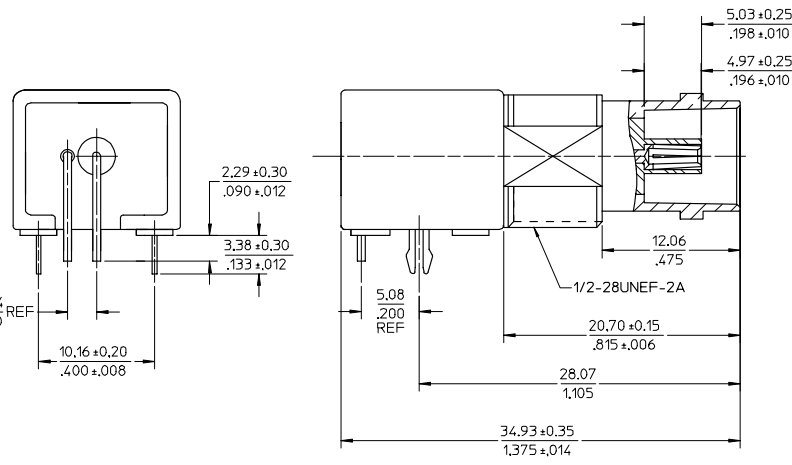
BODY ZINC ALLO
NICKEL PLATED 70 MICROINCHES MIN

CENTER CONTACT PHOSPHOR BRONZE
GOLD PLATED 10 MICROINCHES MIN

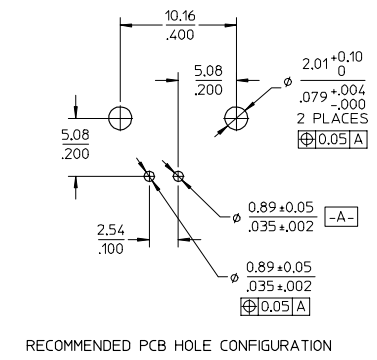
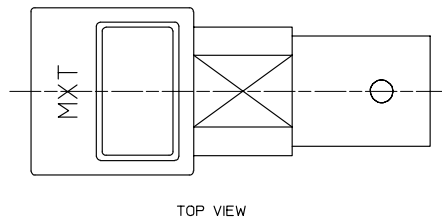
INSULATOR
POLYPROPYLENE (94V2)

BOARD LOCK PHOSPHOR BRONZE
TIN PLATED 200 MICROINCHES MIN

SOLDER TAIL COPPER OVER STEEL
TIN PLATED 200 MICROINCHES MIN



RECOMMENDED MOUNTING HOLE
 MAXIMUM PANEL THICKNESS: 5.40mm
 RECOMMENDED MOUNTING TORQUE:
 12 INCH-POUNDS MAX.



PART # 73101-0570

PS-73598-0051	PRODUCT SPECIFICATION
SPECIFICATION	DESCRIPTION

ENTER DESCRIPTION EC NO. URF2005-0098 DRAWN/CLL I 2004/10/05 2004/10/06 CHKD: APPR:PHUANG 2004/10/06	QUALITY SYMBOLS ▽=0 ▽=0	GENERAL TOLERANCES (UNLESS SPECIFIED)		DIMENSION STYLE MM/IN		SCALE 1:1	DESIGN UNITS METRIC	THIRD ANGLE PROJECTION	
		4 PLACES ± --- ± ---	DRAWN BY CLL I	DATE 2004/06/30	TITLE 75 OHM BNC R/A PCB (DIE CAST) BNC-J/PCB BNC-PCB/RA/BK MOLEX INCORPORATED MATERIAL NO. 73101-0570 DOCUMENT NO. SD-73101-057 SHEET NO. 1 OF 1				
		3 PLACES ± --- ± ---	CHECKED BY PENNY	DATE 2004/06/30					
		2 PLACES ± 0.13 ± ---	APPROVED BY MISEN	DATE 2004/06/30					
1 PLACE ± 0.25 ± ---	DRAFT WHERE APPLICABLE MUST REMAIN WITHIN DIMENSIONS								
ANGULAR ± 2 °		MATERIAL NO. 73101-0570		DOCUMENT NO. SD-73101-057		THIS DRAWING CONTAINS INFORMATION THAT IS PROPRIETARY TO MOLEX INCORPORATED AND SHOULD NOT BE USED WITHOUT WRITTEN PERMISSION			

ib_frame_A3_P_ME_T
 Rev. D 2004/04/02

9 8 7 6 5 4 3 2 1